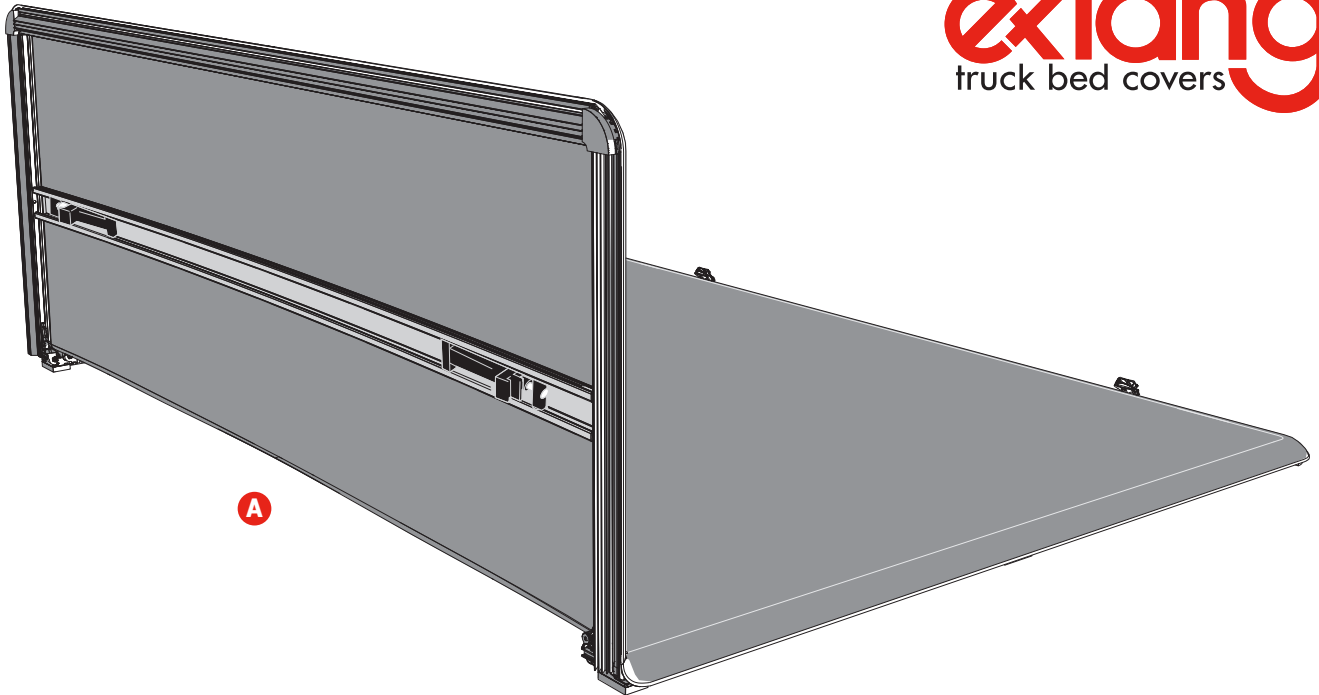


Any damaged or missing parts?

Parts will be shipped to you directly.

Call 800-877-2588, Mon - Fri, 8:30 a.m. - 6:00 p.m. EST



NOTE: It is important that all areas where the bed cover mounts are clean and free of debris prior to installing.

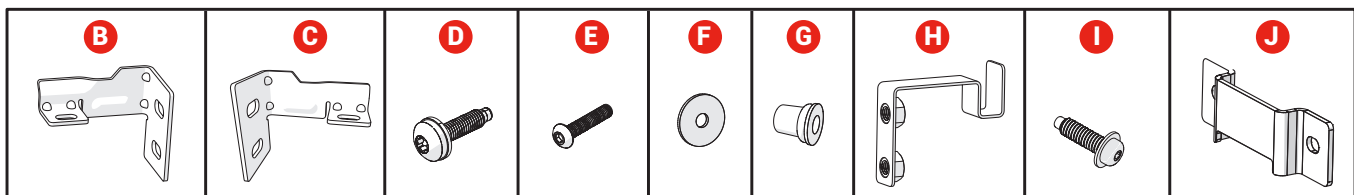
TOOLS REQUIRED

- Torx wrench - T-50
- Hex wrench - 1/8"
- Torx wrench - T-30
- Knife or cutting tool

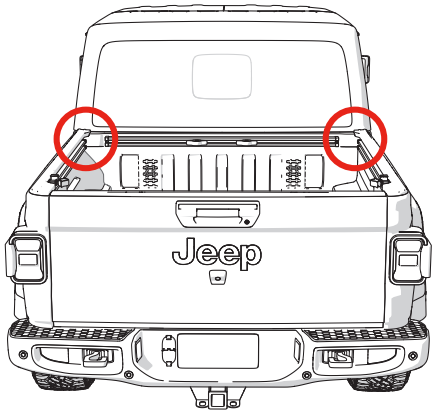
PARTS INCLUDED IN YOUR KIT

- A** Cover assembly
- B** 1x Cab bracket, driver side
- C** 1x Cab bracket, passenger side
- D** 2x M8 bolts T-50
- E** 2x Hex button head screws with washers
- F** 4x Washers
- G** 2x Well nuts
- H** 2x Bulkhead brackets*
- I** 4x T-30 Torx screws with washers
- J** 2x Tailgate brackets

*Kit 22000097 - for use with NO weld nut at bulkhead only

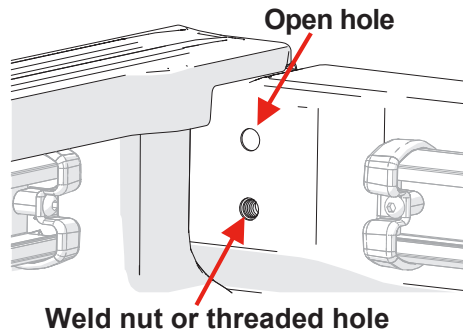


1 Identify the bulkhead hole configuration of your vehicle located near the cab.



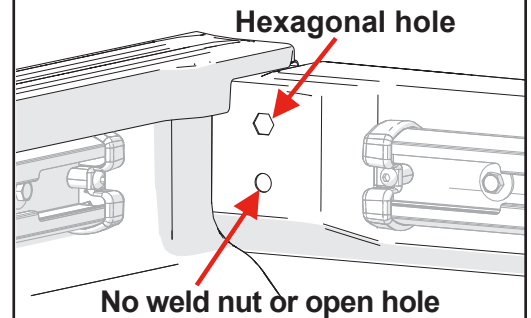
Vehicles **WITH** a weld nut

Weld nut VIN BX210534 and OLDER vehicles

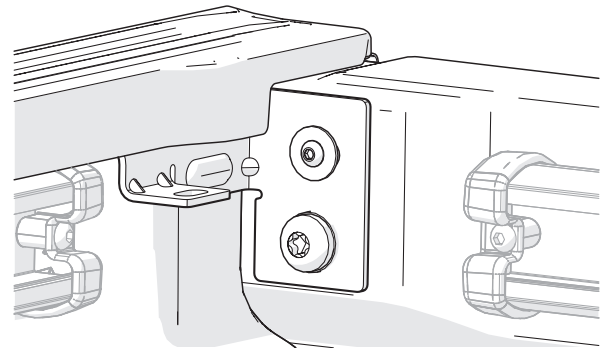
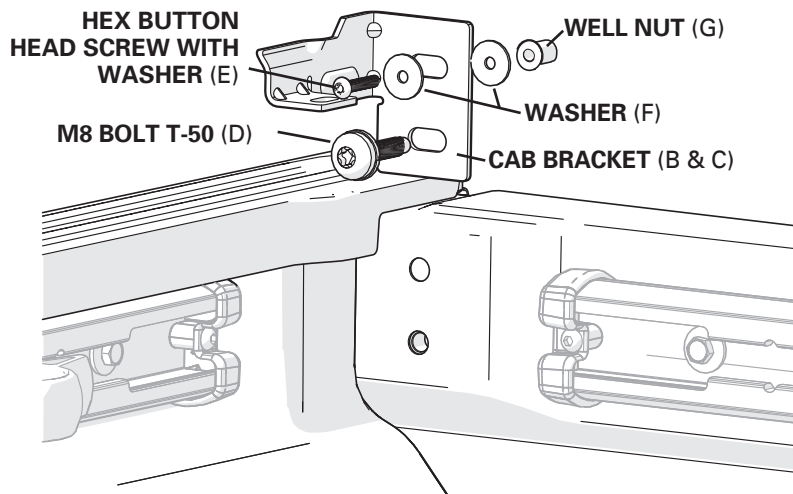


Vehicles **WITHOUT** a weld nut

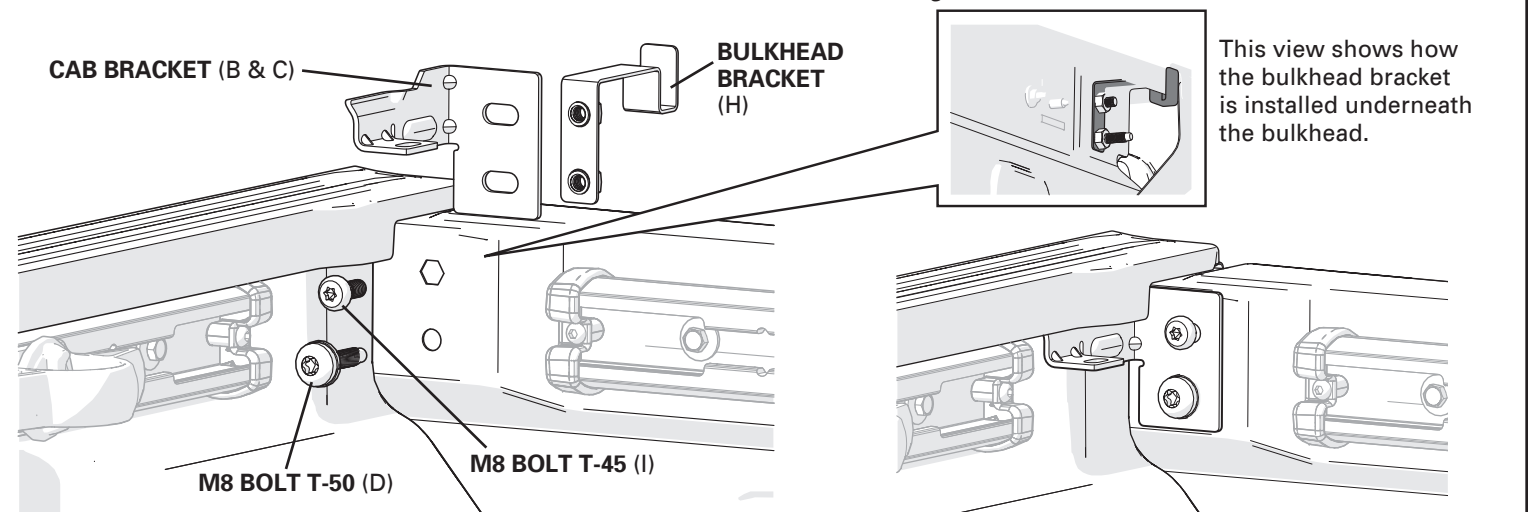
NO weld nut VIN BX210535 and NEWER vehicles
Use kit 22000097 -* (H & I)



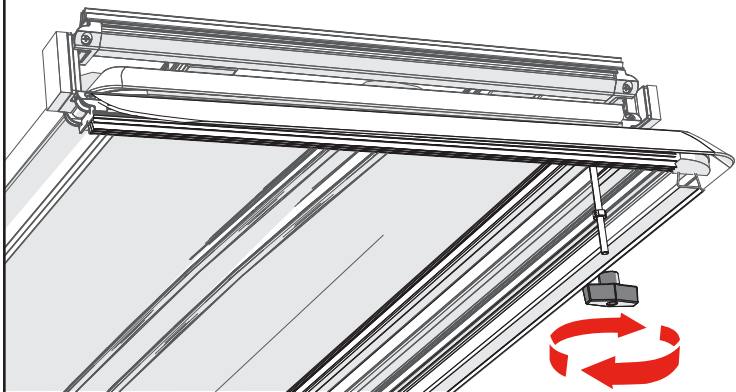
2 If you have a vehicle **WITH** a weld nut, VIN BX210534, and OLDER vehicles. Install the cab brackets (B & C) by inserting the hex button head screw with washer (E) through the upper hole of the cab brackets (B & C). Then install the M8 bolt T-50 (D) through the bottom hole in the cab brackets (B & C). On the backside of the bracket (B & C) thread a washer (F) and a well nut (G) onto the bolt (D).



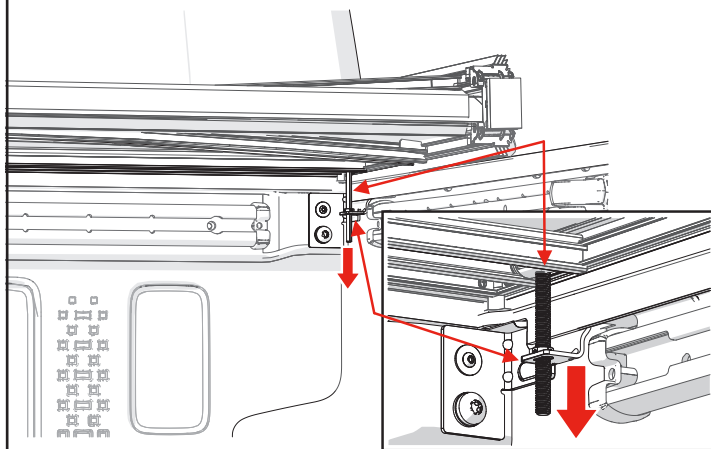
3 If you have a vehicle **WITHOUT** a weld nut, VIN BX210535, and NEWER vehicles. Place the bulkhead brackets (H) underneath the truck's bed flange and align with the 2 holes in the bulkhead. Install the cab brackets (B & C) by inserting the M8 bolt T-45 (I) through the upper hole of the cab brackets (B & C). Then install the M8 bolt T-50 (D) through the bottom hole in the cab brackets (B & C). Make sure that both fasteners go into the bulkhead brackets (H).



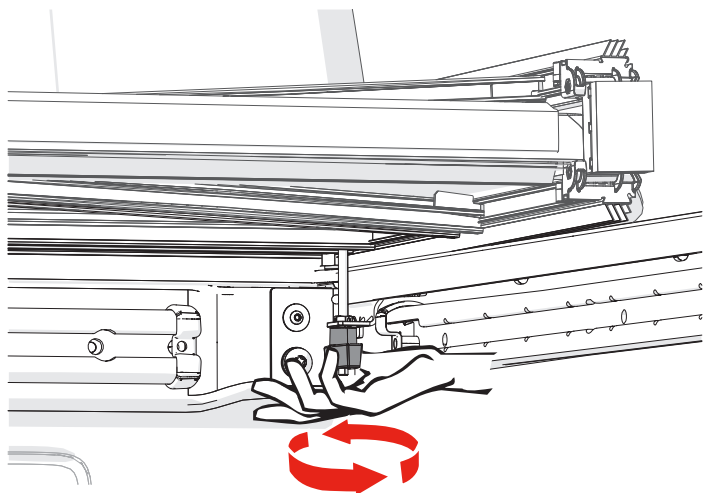
4 Before placing the cover (A) on the truck bed, remove both front clamp knobs. Leave the cab clamp rods in place.



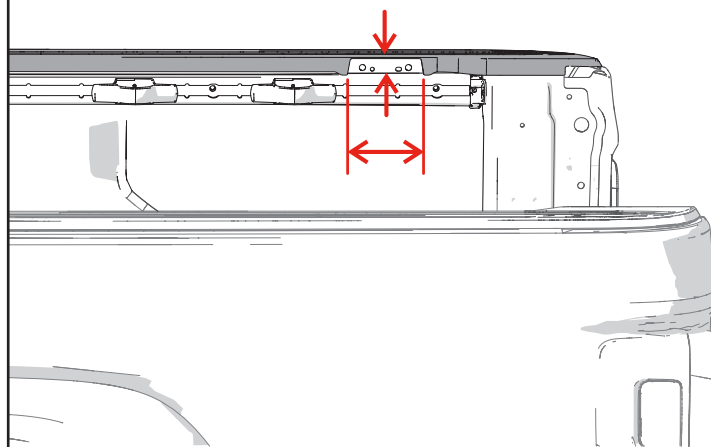
5 Place the folded cover (A) onto the truck bulkhead and bed rails, making sure to slide the cab clamp rods through the cab clamp brackets. Align both driver and passenger sides.



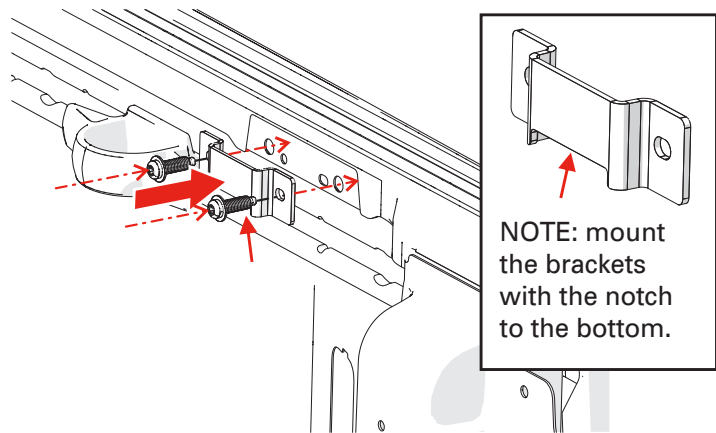
6 Thread the cab clamp knobs back onto the rods. **Do NOT use a wrench or overtighten.** Securely tighten on both sides.



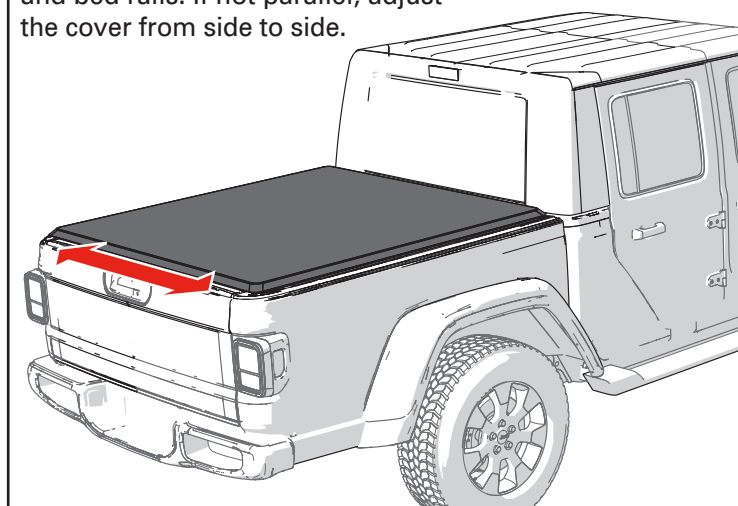
7 If the bed rail caps are not trimmed in the rear (tailgate) section, cut using the scribed lines to expose the area shown.



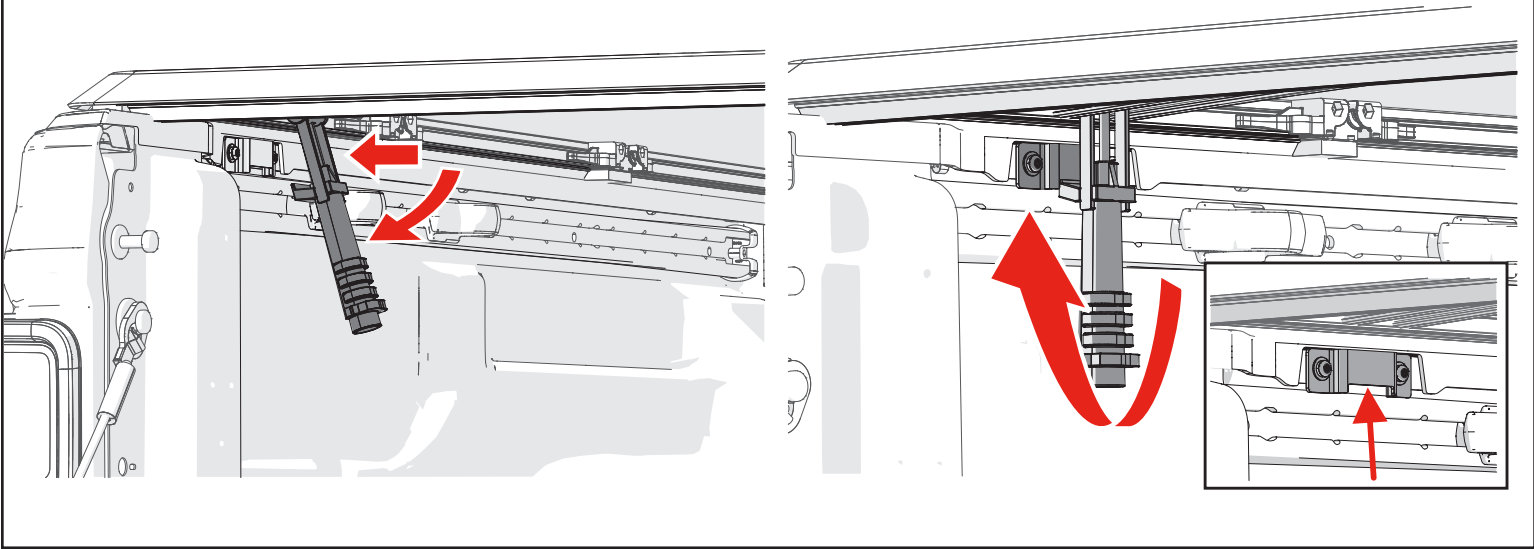
8 Attach the tailgate brackets (J) to the bed rail through the bed rail holes using the T-30 Torx screws with washers (I). **Tighten to 8 N-m (71 in-lb).** Do this on both driver and passenger sides.



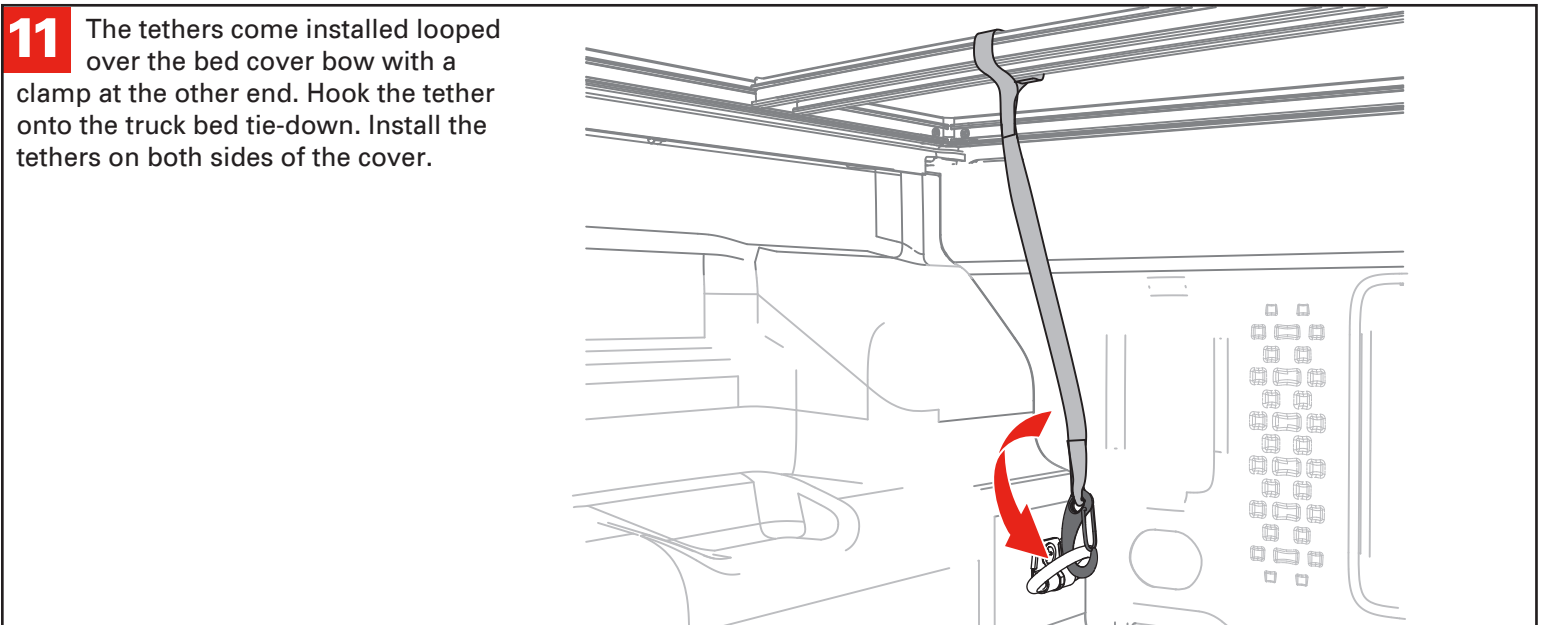
9 Close the tailgate and close the cover (A). Check that the cover is parallel and square with the truck bed and bed rails. If not parallel, adjust the cover from side to side.



10 Open the tailgate, swing the tail clamps down from the stowed position and slide them toward the truck bed rail. Swing the clamps and pull down so the clamp jaw is tucked under the rear truck bed rail bracket. **NOTE: the clamp jaw fits into the bracket notch.**



11 The tethers come installed looped over the bed cover bow with a clamp at the other end. Hook the tether onto the truck bed tie-down. Install the tethers on both sides of the cover.

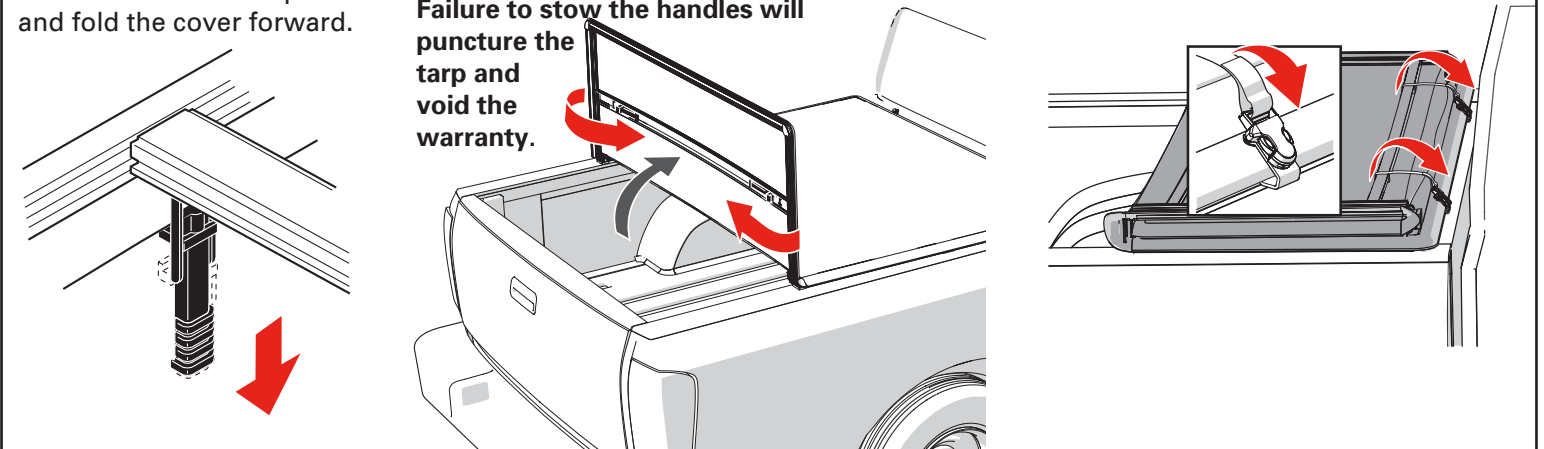


DRIVING WITH THE TONNEAU OPEN

Release the rear clamps and fold the cover forward.

IMPORTANT: Before folding the second section of the cover, the rear clamps must be stowed into the rail to prevent damage to the fabric. **Failure to stow the handles will puncture the tarp and void the warranty.**

Fold the cover forward and fasten **BOTH** straps to the front rail. Check that the straps are tight.



LIMITED LIFETIME WARRANTY

The cover, including as applicable any hardware kit (e.g., rails, clamps, and bows) and fabric, carries a limited lifetime warranty. This limited warranty is subject to the following terms:

WARRANTY COVERAGE

This tonneau cover is warranted against defects in materials or workmanship. This warranty is void if the product has been damaged in an accident, or due to neglect, unforeseeable use, improper installation, improper servicing, or other cause not arising out of defects in material or workmanship.

WARRANTY IS NOT TRANSFERABLE

The warranty is to the initial owner purchasing the tonneau cover and it is not transferrable to a subsequent end user. Proof of purchase may be required to enforce the warranty rights.

WARRANTY CONDITIONS

Failure to follow these warnings and care instructions will void the warranty:

- Clean with mild automotive soap and water only.
- Do not use conditioners that contain silicone or petroleum (e.g., Armor All®).
- Tonneau cover must be secured at all points when vehicle is in motion. When not fully extended, cover must be completely folded up and secured at the cab with the provided buckle straps and tethers attached. Do NOT drive with the bed cover in a partially open position..
- Check front/cab clamps and retention mechanisms for tightness after a week of driving following installation (or re-installation) of the cover and periodically thereafter.
- Before opening, cover must be free of all foreign materials including snow and ice.
- To avoid potential damage to the cover, panel clamps/latches must be in their stored positions prior to opening/folding the panel.
- Do NOT tow your vehicle from the rear with the cover on your vehicle. If towing from the rear is required, the cover MUST be removed from the vehicle and properly stored.

WARRANTY PERFORMANCE

If all warranty conditions are met, a defective tonneau cover, tarp, or hardware component will either be repaired or replaced (at our option). We reserve the right, for any warranted return, to substitute a newer model of tonneau cover having similar form and function, to offer a warranty discount on an entire replacement system, and/or provide remedies other than those mentioned in this document.

WARRANTY PROCESS

A Return Authorization number must be obtained from our Customer Service Department prior to returning any product. We may require the original item to be returned postage prepaid for final determination. Shipping charges will apply for any repair or replacement. Other than postage or shipping charges, no charge will be made for repair or replacement under this warranty.

This warranty gives you specific legal rights. As an owner, you may also have additional rights and remedies under the laws of your state.

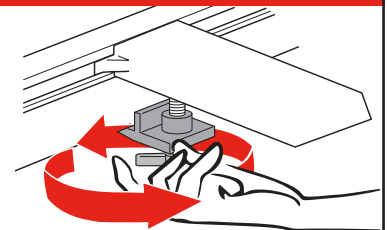
IMPORTANT

Re-tighten the front/cab clamps and tethers after the first week of driving the vehicle. Also periodically check the clamps and tethers to ensure they are secure.

Closed/Extended Position – Bed cover must be completely secured by all four (4) clamps.

Open/Folded Position – Bed cover must be completely folded up (all panels) and secured at the cab with the provided buckle straps and with both tethers attached.

Do NOT drive with the bed cover in a partially open position.



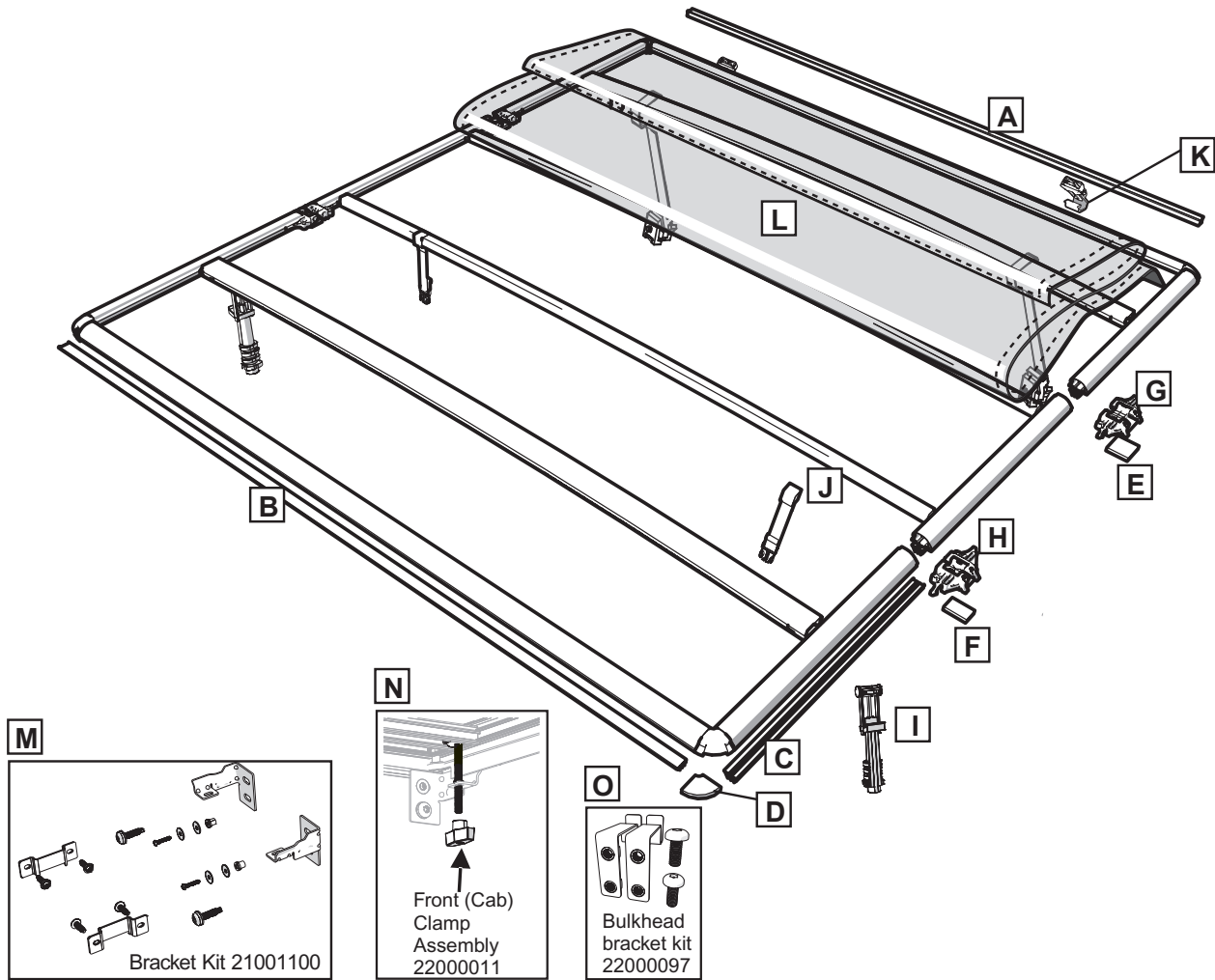
Do NOT allow the vehicle to be towed backwards without first removing the cover from the vehicle.



Remove any snow or foreign matter before folding the bed cover.

REPLACEMENT PARTS

Replacement parts can be ordered online at extang.com/replacement-parts or you can contact our Customer Service Department for assistance. When ordering, xxx represents the 3 digit suffix, as referenced on the sales receipt or vehicle application list.



| Call Out | Title | Part Number | Description | Application | Qty |
|----------|-------------------------|-------------|---|--|-----|
| A | Cab Seal | 32002112 | Single length seal (6'), hollow seal, cut to fit | Most vehicles | 1 |
| A | Cab Seal | 32270600 | Single length seal (6'), Flap seal, cut to fit | Honda, Nissan Frontier, Suzuki Equator | 1 |
| A | Cab Seal | 32001668 | Single length seal (6'), ribbed D-seal large, cut to fit | Toyota and Mitsubishi | 1 |
| A | Cab Seal | 32000900 | Single length seal (6'), ribbed D-seal short, cut to fit | RamBox 2009-2018 DS body style (4th generation only) | 1 |
| B | Tail Seal | 32562569 | Single length seal, (69"), 2-fin seal, cut to fit | | 1 |
| B | Tail Seal | 32563200 | Single length seal, (68"), 4-fin, cut to fit | Most vehicles | 1 |
| B | Tail Seal | 32002119 | Single length seal, (68"), 4-fin, cut to fit | 2021+ F150, Super Duty | 1 |
| C | Side Seal | 32000685 | Single length (68") Riser Side Seal, one length will fit two panel sides, cut to fit (there are 6 sides per cover). Two seals for 6' beds, three for longer beds. | Most vehicles | 1 |
| C | Side Seal | 32560368 | Single length (68") 3-fin Side Seal, one length will fit 2 panel sides, cut to fit, (there are 6 sides per cover). Two seals for 6' beds, three for longer beds. | Most vehicles | 1 |
| D | Corner Seal | 92xxx-19 | Measure for thickness- 0.375", 0.5", 0.75" | Call Customer Service with xxx suffix referenced per vehicle | 1 |
| D | Corner Seal | 93xxx-19 | Measure for thickness- 0.375", 0.5", 0.75" | Call Customer Service with xxx suffix referenced per vehicle | 1 |
| D | Corner Seal | 94xxx-19 | Measure for thickness- 0.375", 0.5", 0.75" | Call Customer Service with xxx suffix referenced per vehicle | 1 |
| E | Cab Hinge Seal | 32920104 | Seal only, 0.25" Large Hinge Pad | Measure thickness or call Customer Service with xxx suffix reference | 1 |
| E | Cab Hinge Seal | 32440401 | Seal only, 0.375" Large Hinge Pad | Measure thickness or call Customer Service with xxx suffix reference | 1 |
| F | Tailgate Hinge Seal | 32920102 | Seal only, 0.25" Small Hinge Pad | Measure thickness or call Customer Service with xxx suffix reference | 1 |
| F | Tailgate Hinge Seal | 32440402 | Seal only, 0.375" Small Hinge Pad | Measure thickness or call Customer Service with xxx suffix reference | 1 |
| G | Cab Hinge Assembly | 31442015 | Seal not included, see item Cab Hinge Seal (E) | Most vehicles | 1 |
| H | Tailgate Hinge Assembly | 31442005 | Seal not included, see item Tailgate Hinge Seal (F) | Most vehicles | 1 |
| I | Tail Clamp | 31003005 | Single EZ Lock Clamp for the tailgate side | Most Vehicles | 1 |
| J | Tie Down Strap | 54440400 | (Short) Tie Down Strap, w/Male Buckle-fits 4 bow bed cover systems | Most Vehicles | 1 |
| J | Tie Down Strap | 54720400 | (Long) Tie Down Strap, w/Male Buckle-fits 3 bow bed cover systems | Most vehicles | 1 |
| K | Buckle Assembly | 31920120 | Single Buckle assembly, w/Female Buckle | Most vehicles | 1 |
| L | Tarp | 92xxx-20 | Vinyl tarp only, Trifecta 2.0 vinyl | Call Customer Service with xxx suffix referenced per vehicle | 1 |
| M | Tarp | 94xxx-20 | Vinyl tarp only, Trifecta Signature Series vinyl | Call Customer Service with xxx suffix referenced per vehicle | 1 |
| M | Bracket Kit | 21001100 | Clamp bracket kit for front/cab and rear/tailgate | Gladiator | 1 |
| N | Front Clamp | 22000011 | Front/cab clamp assembly | Gladiator | 1 |
| O | Bracket Kit | 22000097 | Bulkhead bracket kit | Gladiator | 1 |

SOMETHING DAMAGED? MISSING PARTS?

CALL US FIRST
800-877-2588

WE CAN HELP YOU QUICKLY AND EASILY OVER THE PHONE

Experienced Customer Service staff are available
to answer all your truck bed cover questions

CUSTOMER SERVICE HOURS

8:30 a.m. TO 6:00 p.m. EST, MONDAY - FRIDAY

Truck bed cover model: _____

Purchase date: _____

Lot code: _____

Lot code can be found on the underside of cover.