

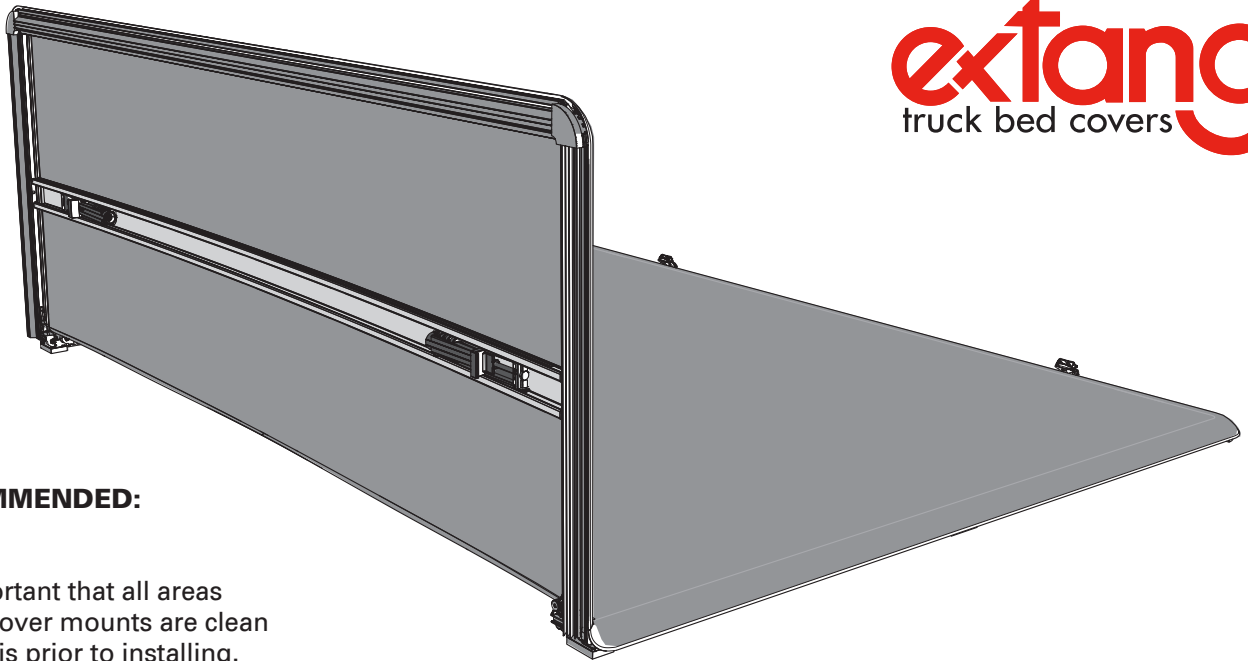
TRIFECTA 2.0

TRIFECTA 2.0 RIDGELINE & INTERNATIONAL INSTALLATION SHEET

Any damaged or missing parts?

Parts will be shipped to you directly.

Call 800-877-2588, Mon - Fri, 8:30 a.m. - 6:00 p.m. EST

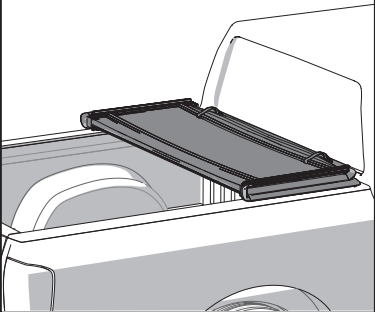


TOOLS RECOMMENDED:

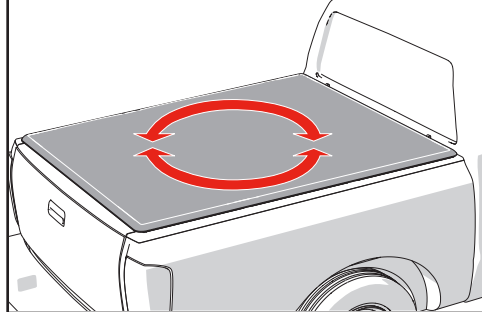
- Utility knife

NOTE: It is important that all areas where the bed cover mounts are clean and free of debris prior to installing.

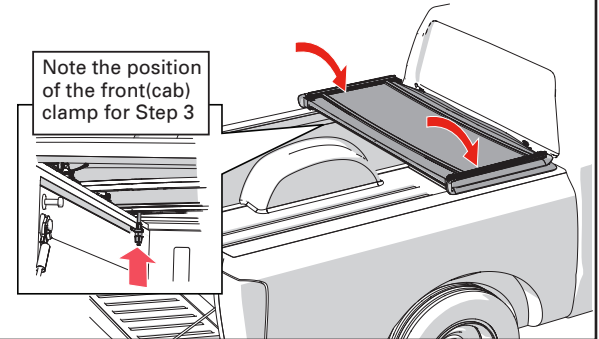
- 1** Place the assembled bed cover over the cab end of the truck box.



- 2** Unfold the cover fully and adjust the position over the truck bed for proper cab and tail alignment.

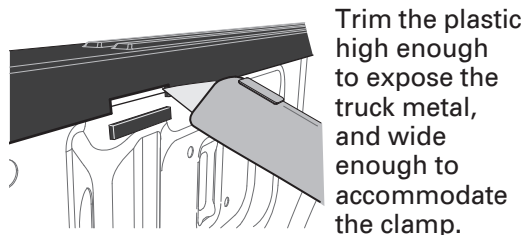
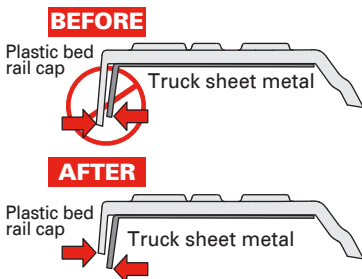


Then carefully refold the cover without shifting its position on the truck bed.

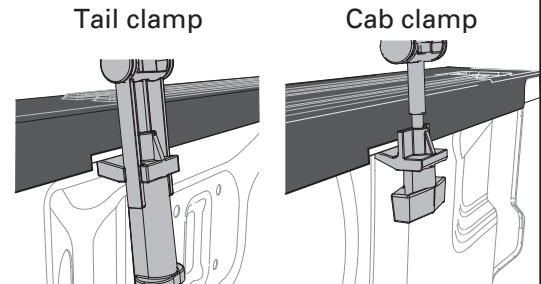


- 3 STOP** If your truck has a plastic bed rail cap that extends below the truck sheet metal bed flange, you **MUST** remove enough of the plastic so that the clamps make solid contact with the truck's sheet metal.

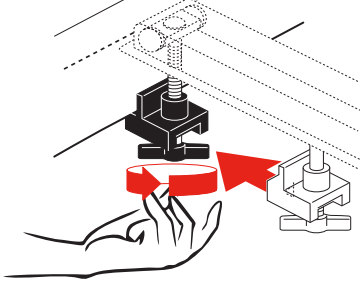
This is commonly found on 04-14 & 21 Ford F150s and 09-19 RAMs, but your specific vehicle should be inspected carefully to ensure a proper installation.



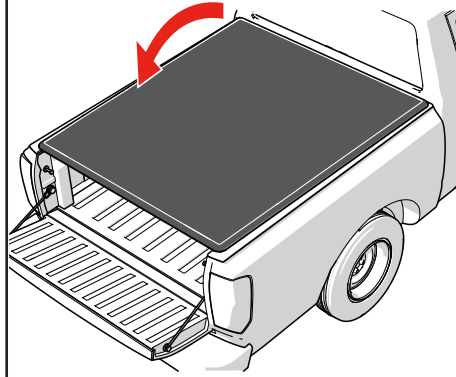
Do NOT cut into or scrape the truck bed.



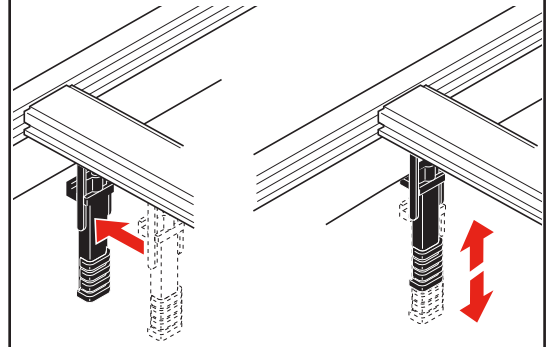
4 Ensure that the clamp is positioned under the metal flange. Hand tighten until clamp contacts the flange, then tighten an additional two turns. Do NOT secure to only the lip of the bedliner or the plastic bed cap. **Do NOT use a wrench or overtighten!**



5 With the tailgate open and the front (cab) clamps secure, completely close the cover.

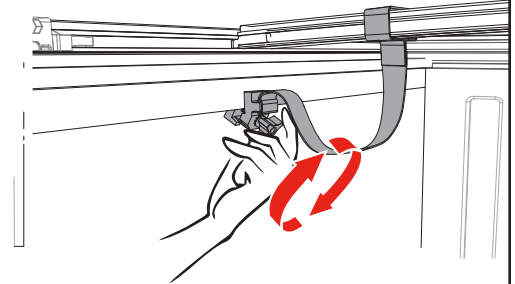
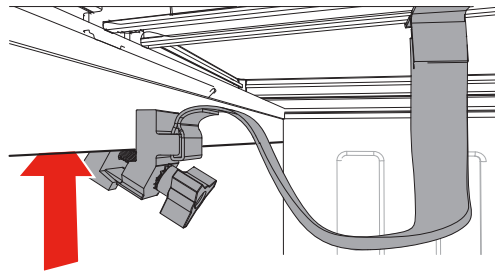
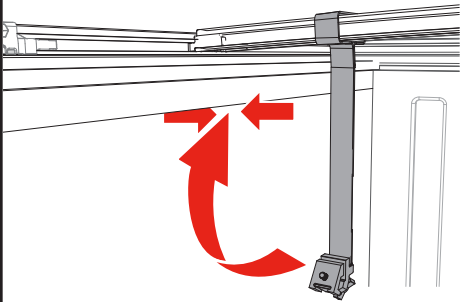


6 Slide the rear clamp out to the bed wall. Pull the rear clamp down, and hook it under the bottom edge of the metal bed flange.



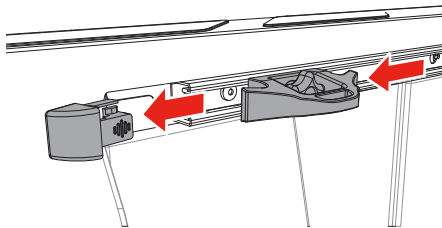
7A Truck beds with metal flanges (without cargo rails)

Open the cover. The tethers are attached to the cover bow. Attach the clamp to the metal flange of the truck bed rail and tighten the knob. Do this for both the driver and passenger side.

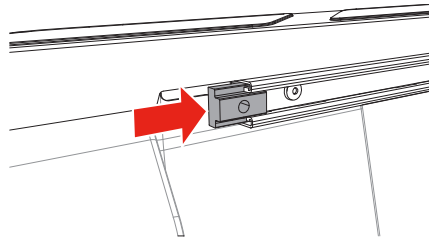


7B Truck beds with factory cargo rails

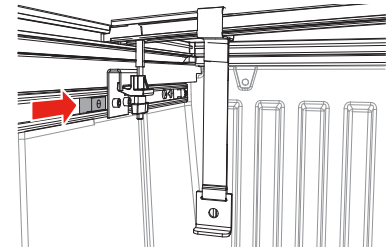
Open the cover.



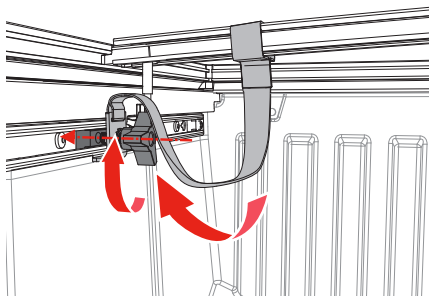
Remove the cargo rail end cap and any tie-down cleats.



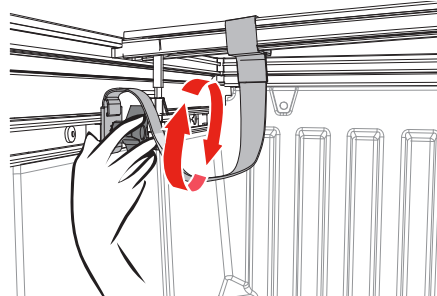
Insert the provided slide block into the cargo rail.



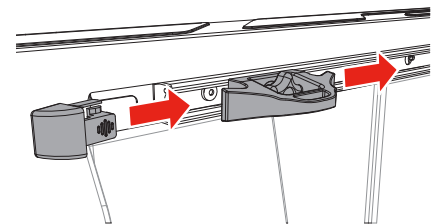
Move the slide block forward to the front bow of the cover.



Thread the tether knob through the lock washer, through the tether bracket and into the slide block.



Tighten the knob. Do these steps for both the driver and passenger sides.

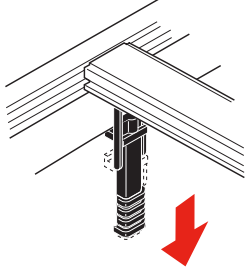


Reinstall any tie-down cleats and the end cap on both sides of the truck.



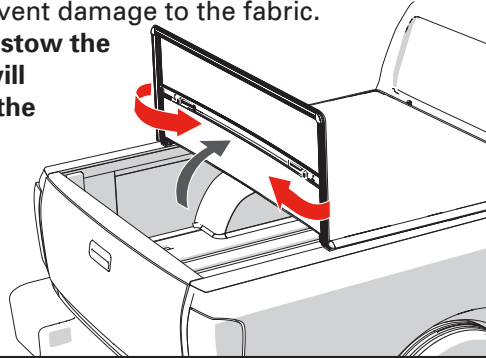
DRIVING WITH THE TONNEAU OPEN

Release the rear clamps and fold the cover forward.

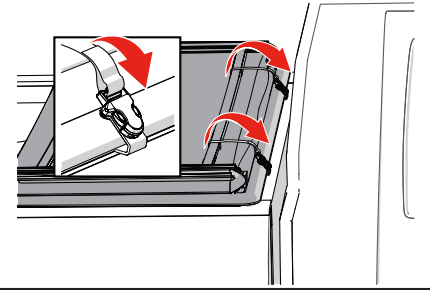


IMPORTANT: Before folding the second section of the cover, the rear clamps must be stowed into the rail to prevent damage to the fabric.

Failure to stow the handles will puncture the tarp and void the warranty.



Fold the cover forward and fasten the straps to the front rail. Check that the straps are tight



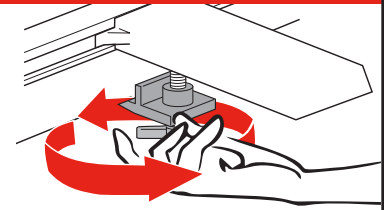
IMPORTANT

Re-tighten the front/cab clamps and tethers after the first week of driving the vehicle. Also periodically check the clamps and tethers to ensure they are secure.

Closed/Extended Position – Bed cover must be completely secured by all four (4) clamps.

Open/Folded Position – Bed cover must be completely folded up (all panels) and secured at the cab with the provided buckles straps and with both tethers attached.

Do NOT drive with the bed cover in a partially open position.



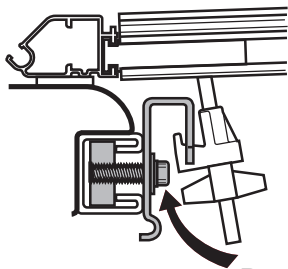
Do NOT allow the vehicle to be towed backwards without first removing the cover from the vehicle.



Remove any snow or foreign matter before folding the bed cover.

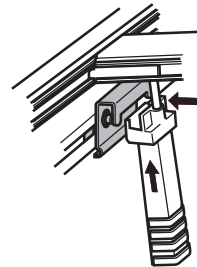
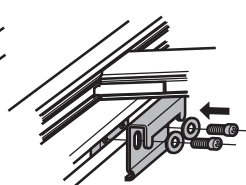
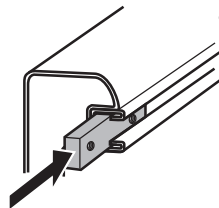
BRACKET KIT INSTALLATION - CARGO MANAGEMENT EQUIPPED TRUCKS

Cab Clamp

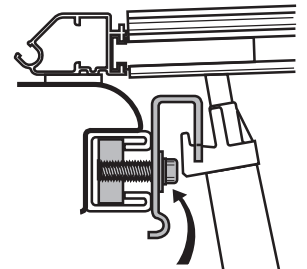


Do Not Overtighten

Add the clamp plate, washers and screws as shown.



Tailgate Clamp

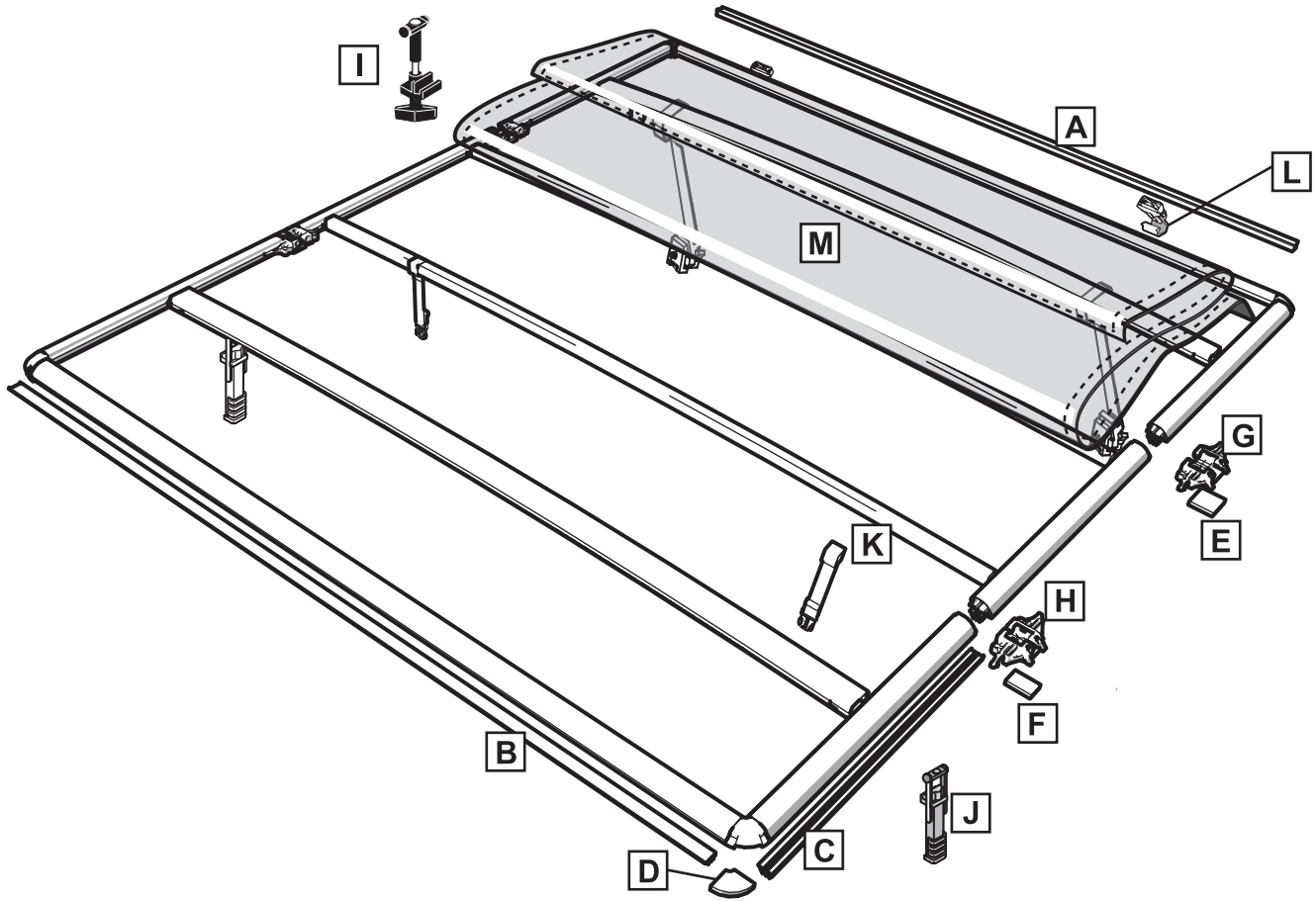


Do Not Overtighten



REPLACEMENT PARTS

Replacement parts can be ordered online at extang.com/replacement-parts or you can contact our Customer Service Department for assistance. When ordering, xxx represents the 3 digit suffix, as referenced on the sales receipt or vehicle application list.



Call Out	Title	Part Number	Description	Application	Qty
A	Cab Seal	32002112	Single length seal (6'), hollow seal, cut to fit	Most vehicles	1
A	Cab Seal	32270600	Single length seal (6'), Flap seal, cut to fit	Honda, Nissan Frontier, Suzuki Equator	1
A	Cab Seal	32001668	Single length seal (6'), ribbed D-seal large, cut to fit	Toyota and Mitsubishi	1
A	Cab Seal	32000900	Single length seal (6'), ribbed D-seal short, cut to fit	RamBox 2009-2018 DS body style (4th generation only)	1
B	Tail Seal	32562569	Single length seal, (69"), 2-fin seal, cut to fit		1
B	Tail Seal	32563200	Single length seal, (68"), 4-fin seal, cut to fit	Most vehicles	1
B	Tail Seal	32002119	Single length seal, (68"), 4-fin seal, cut to fit	2021+ F150, Super Duty	1
C	Side Seal	32000685	Single length (68") Riser Side Seal, one length will fit two panel sides, cut to fit (there are 6 sides per cover). Two seals for 6' beds, three for longer beds.	Most vehicles	1
C	Side Seal	32560368	Single length (68") 3-fin Side Seal, one length will fit 2 panel sides, cut to fit, (there are 6 sides per cover). Two seals for 6' beds, three for longer beds.	Most vehicles	1
D	Corner Seal	92xxx-19	Measure for thickness- 0.375", 0.5", 0.75"	Call Customer Service with xxx suffix referenced per vehicle	1
D	Corner Seal	93xxx-19	Measure for thickness- 0.375", 0.5", 0.75"	Call Customer Service with xxx suffix referenced per vehicle	1
D	Corner Seal	94xxx-19	Measure for thickness- 0.375", 0.5", 0.75"	Call Customer Service with xxx suffix referenced per vehicle	1
E	Cab Hinge Seal	32920104	Seal only, 0.25" Large Hinge Pad	Measure thickness or call Customer Service with xxx suffix reference	1
E	Cab Hinge Seal	32440401	Seal only, 0.375" Large Hinge Pad	Measure thickness or call Customer Service with xxx suffix reference	1
F	Tailgate Hinge Seal	32920102	Seal only, 0.25" Small Hinge Pad	Measure thickness or call Customer Service with xxx suffix reference	1
F	Tailgate Hinge Seal	32440402	Seal only, 0.375" Small Hinge Pad	Measure thickness or call Customer Service with xxx suffix reference	1
G	Cab Hinge Assembly	31442015	Seal not included, see item Cab Hinge Seal (E)	Most vehicles	1
H	Tailgate Hinge Assembly	31442005	Seal not included, see item Tailgate Hinge Seal (F)	Most vehicles	1
I	Cab Clamp Assembly	1034	Single clamp for the cab side	Most vehicles	1
J	Tail Clamp	1042	Single SpeedKlamp for the tailgate side	Ford Ranger (int'l version) 2012-current, Toyota Hilux, Mitsubishi L200, Isuzu D-Max, Nissan Navara	1
J	Tail Clamp	1035	Single SpeedKlamp for the tailgate side	Honda, Jeep Gladiator, Nissan Frontier, Suzuki Equator	1
K	Tie Down Strap	54440400	(Short) Tie Down Strap, w/Male Buckle- fits 4 bow bed cover systems	Most vehicles	1
K	Tie Down Strap	54720400	(Long) Tie Down Strap, w/Male Buckle- fits 3 bow bed cover systems	Most vehicles	1
L	Buckle Assembly	31920120	Single Buckle assembly, w/Female Buckle	Most vehicles	1
M	Tarp	92xxx-20	Vinyl tarp only, Trifecta 2.0 vinyl	Call Customer Service with xxx suffix referenced per vehicle	1
M	Tarp	94xxx-20	Vinyl tarp only, Trifecta Signature Series vinyl	Call Customer Service with xxx suffix referenced per vehicle	1



LIMITED LIFETIME WARRANTY

The cover, including as applicable any hardware kit (e.g., rails, clamps, and bows) and fabric, carries a limited lifetime warranty. This limited warranty is subject to the following terms:

WARRANTY COVERAGE

This tonneau cover is warranted against defects in materials or workmanship. This warranty is void if the product has been damaged in an accident, or due to neglect, unforeseeable use, improper installation, improper servicing, or other cause not arising out of defects in material or workmanship.

WARRANTY IS NOT TRANSFERABLE

The warranty is to the initial consumer purchasing the tonneau cover and it is not transferrable to a subsequent end user. Proof of purchase may be required to enforce the warranty rights.

WARRANTY CONDITIONS

Failure to follow these warnings and care instructions will void the warranty:

- Clean with mild automotive soap and water only.
- Do not use conditioners that contain silicone or petroleum (e.g., Armor All®).
- Tonneau cover must be secured at all points when vehicle is in motion. When not fully extended, cover must be completely folded up and secured at the cab with the provided buckle straps and tethers attached. Do NOT drive with the bed cover in a partially open position..
- Check front/cab clamps and retention mechanisms for tightness after a week of driving following installation (or re-installation) of the cover and periodically thereafter.
- Before opening, cover must be free of all foreign materials including snow and ice.
- To avoid potential damage to the cover, panel clamps/latches must be in their stored positions prior to opening/folding the panel.
- Do NOT tow your vehicle from the rear with the cover on your vehicle. If towing from the rear is required, the cover MUST be removed from the vehicle and properly stored.

WARRANTY PERFORMANCE

If all warranty conditions are met, a defective tonneau cover, tarp, or hardware component will either be repaired or replaced (at our option). We reserve the right, for any warranted return, to substitute a newer model of tonneau cover having similar form and function, to offer a warranty discount on an entire replacement system, and/or provide remedies other than those mentioned in this document.

WARRANTY PROCESS

A Return Authorization number must be obtained from our Customer Service Department prior to returning any product. We may require the original item to be returned postage prepaid for final determination. Shipping charges will apply for any repair or replacement. Other than postage or shipping charges, no charge will be made for repair or replacement under this warranty.

This warranty gives you specific legal rights. As a consumer, you may also have additional rights and remedies under the laws of your state.



SOMETHING DAMAGED? MISSING PARTS?

CALL US FIRST
800-877-2588

WE CAN HELP YOU QUICKLY AND EASILY OVER THE PHONE

Experienced Customer Service staff are available
to answer all your truck bed cover questions

CUSTOMER SERVICE HOURS

8:30 a.m. TO 6:00 p.m. EST, MONDAY - FRIDAY

Truck bed cover model: _____

Purchase date: _____

Lot code: _____

Lot code can be found on the underside of cover.

