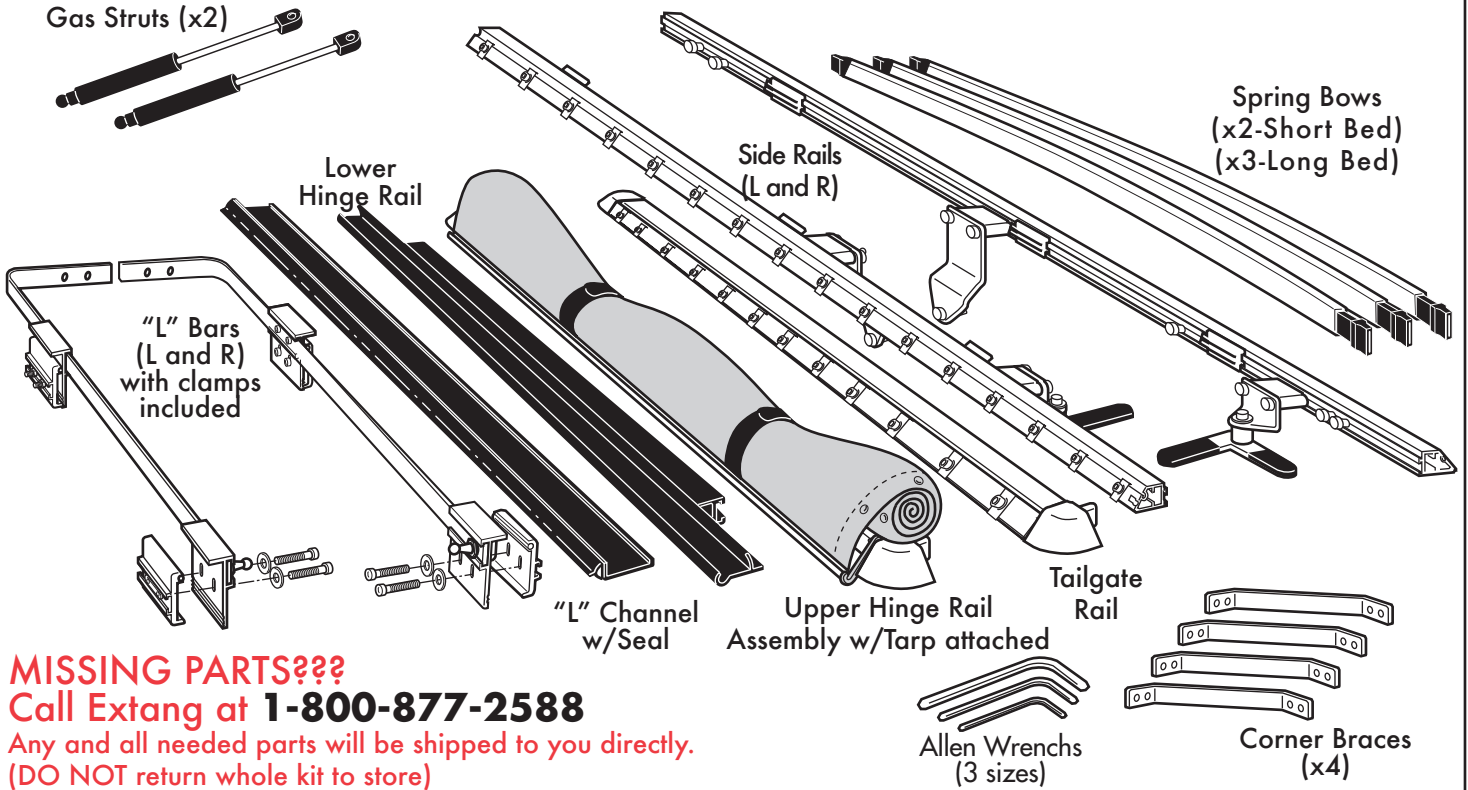


INSTALLATION SHEET

FULLTILT TOOLBOX

extang
AMERICA'S BEST
SELLING TONNEAUS

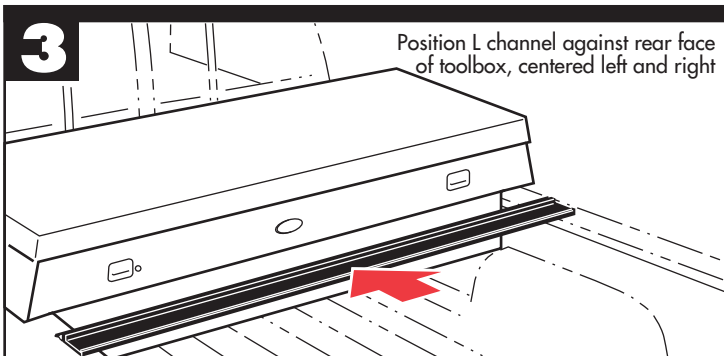
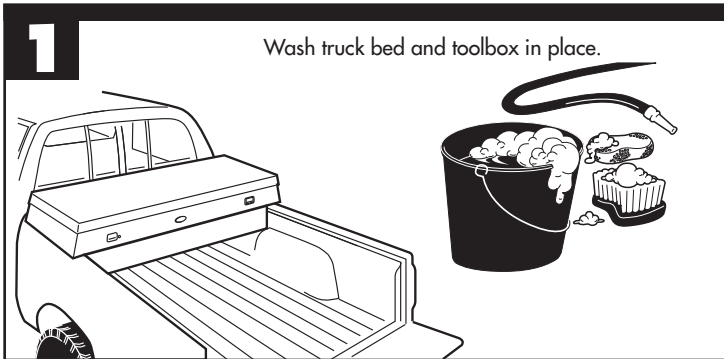


MISSING PARTS???

Call Extang at 1-800-877-2588

Any and all needed parts will be shipped to you directly.
(DO NOT return whole kit to store)

PARTS INCLUDED IN YOUR KIT. You may want to lay them out in this manner for accessibility.



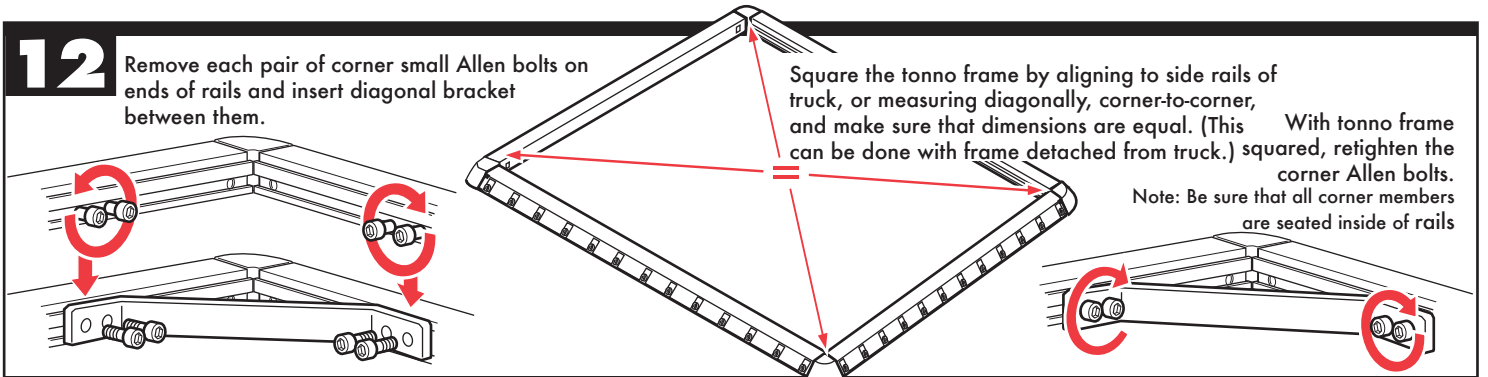
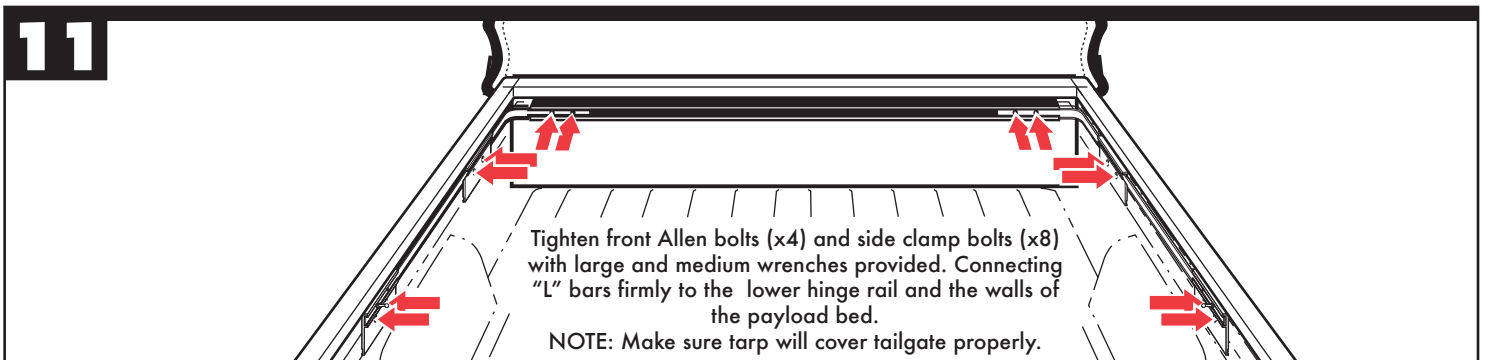
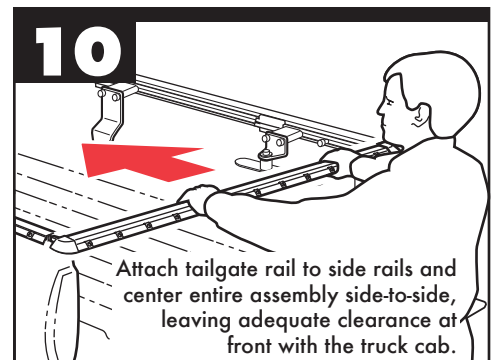
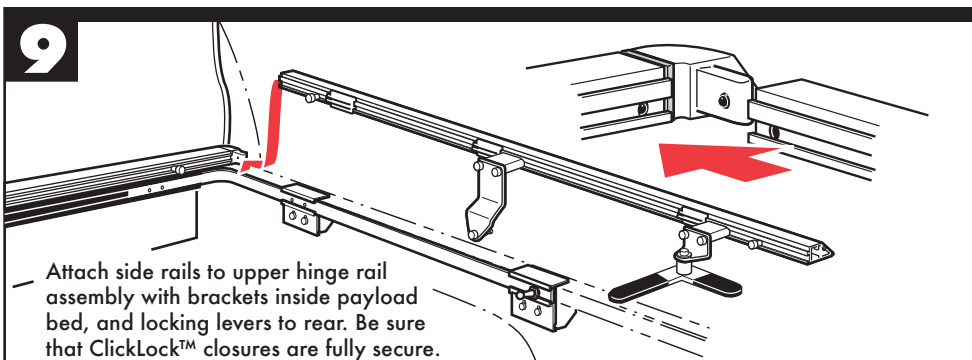
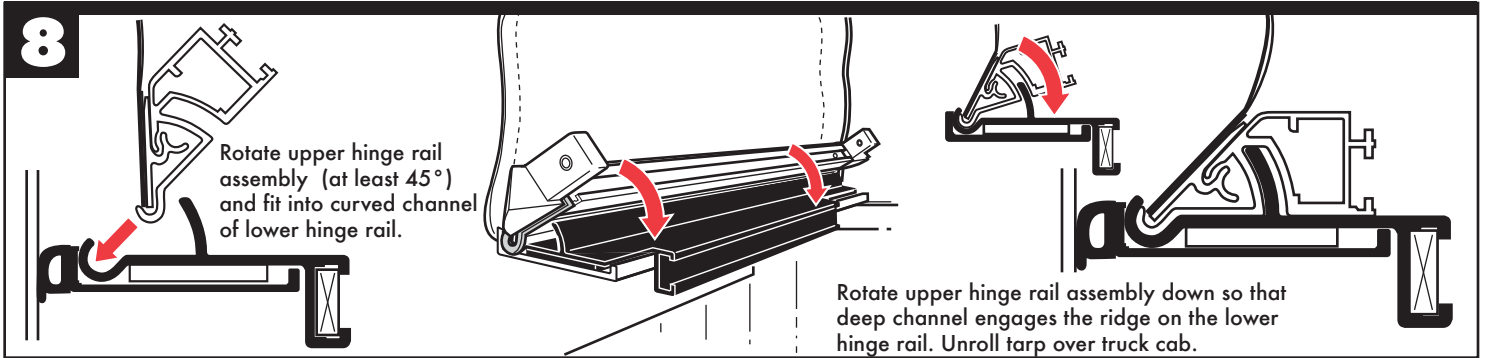
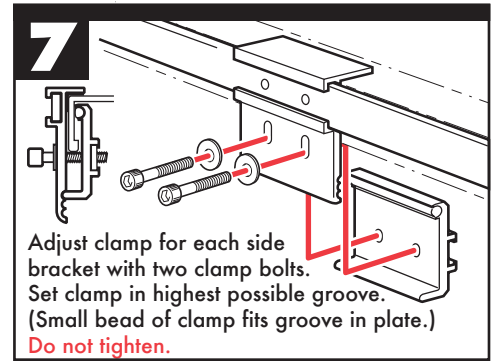
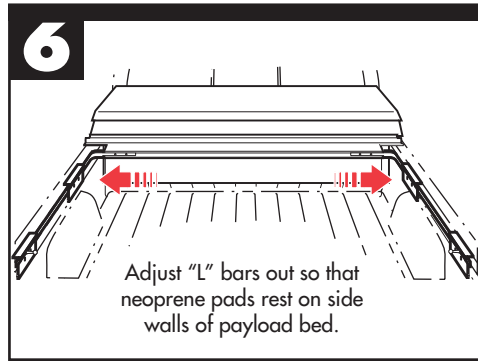
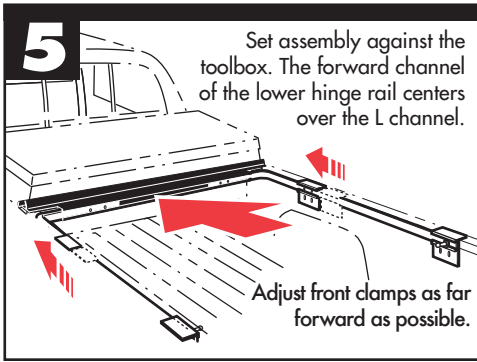
Extang Corporation
5400 S. State Rd.
Ann Arbor MI 48108
734-677-0444, Fax: 734-677-8409

0662

Register your warranty

extang.com

Item No. 0139-1401 RH Printed in U.S.A.

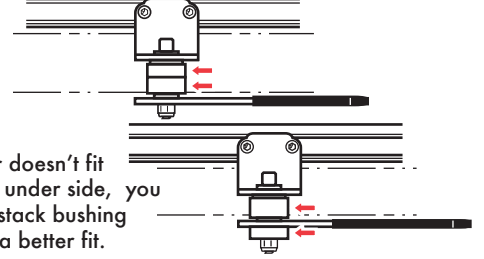
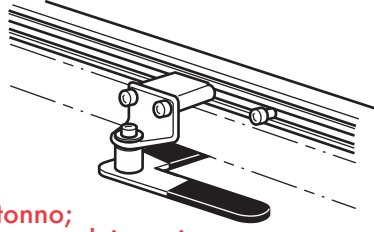
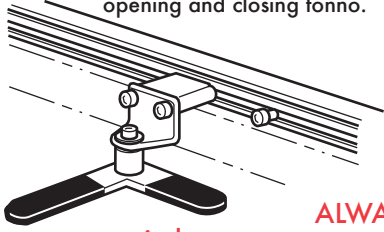


13

Frame locking lever must be parallel to side rail when opening and closing tonno.

Locking lever is secure when positioned at right angle to, and engaged with side wall.

Locking levers come from the factory ready to fit your truck.



ALWAYS latch tonno;
wind may open tonno, even when truck is stationary.

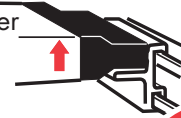
If lever doesn't fit snugly under side, you can restack bushing to get a better fit.

14

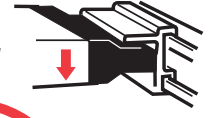
Insert bow onto top or bottom peg, (Top peg for performance, Bottom for good looks.)

Ends are spring loaded for easy installation. Push and hold on spring end and let the other end slide on with the spring action.

Upper Peg



or



Lower Peg

NOTE: Center bow provides support to side rails and may seem tight when inserting between side rails. It may be necessary to pull out on side rails to install the center bow.

SPECIAL FEATURE: Two pegs offer two height adjustments. Note: Bow end does not fit between pegs.



Do Not Place Between the Pegs

15

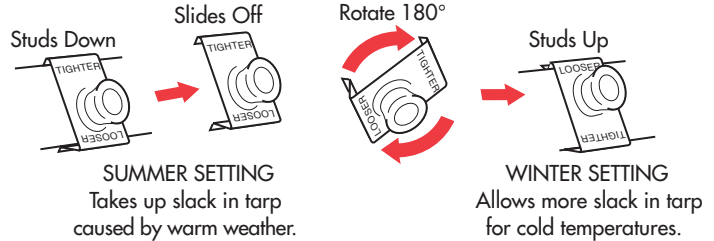
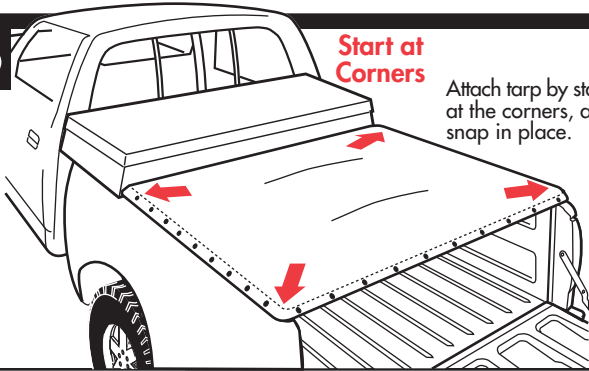
Start at Corners

Attach tarp by starting at the corners, and snap in place.

SPECIAL FEATURE

Weather-adjustable Snaps

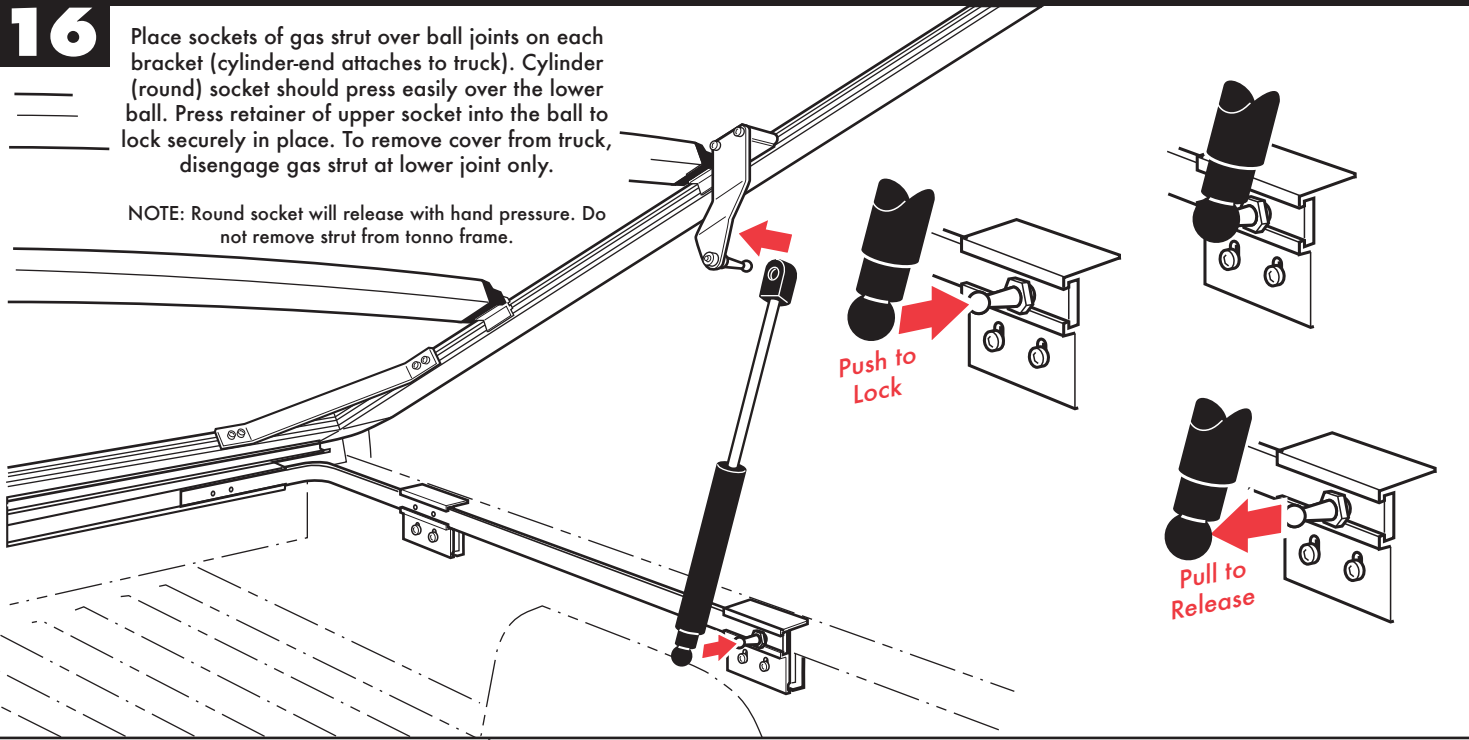
If it gets too cold, just bring the tonno inside!



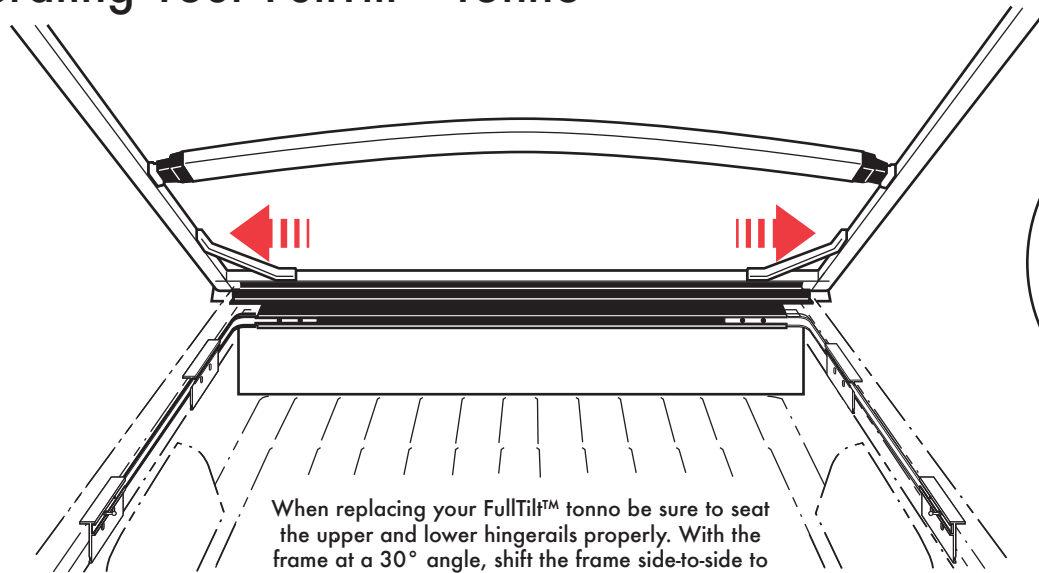
16

Place sockets of gas strut over ball joints on each bracket (cylinder-end attaches to truck). Cylinder (round) socket should press easily over the lower ball. Press retainer of upper socket into the ball to lock securely in place. To remove cover from truck, disengage gas strut at lower joint only.

NOTE: Round socket will release with hand pressure. Do not remove strut from tonno frame.

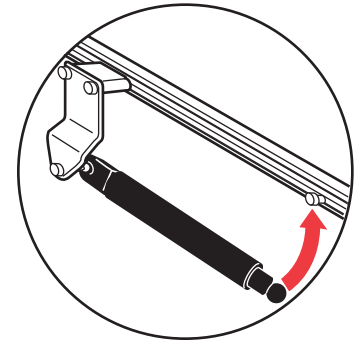


Operating Your FullTilt™ Tonno



When replacing your FullTilt™ tonno be sure to seat the upper and lower hingerrails properly. With the frame at a 30° angle, shift the frame side-to-side to confirm that the curved ridge on the lower hinge rail is located between the tonno frame corner caps.

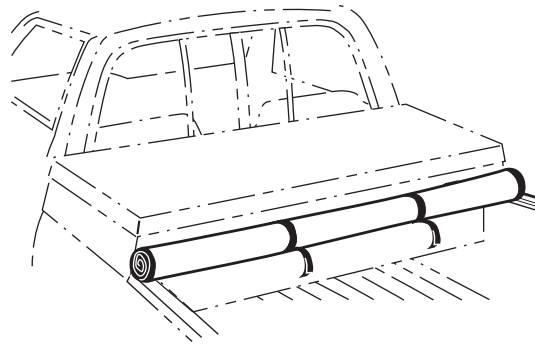
When in the proper position, the frame should freely translate about 1/8". If not, raise the frame and seat it again.



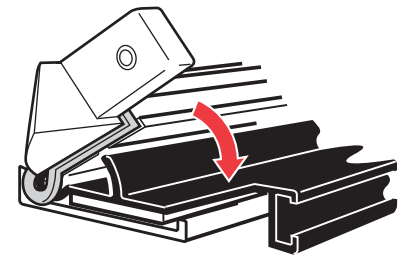
When tonno is removed, stow the gas shock against the shock hold down stud.



Make sure that upper hinge rail assembly slides easily over ridge on lower hinge rail.



If you need to tow your vehicle backward, be sure to release the cover and stow against the hinge rail using Velcro® straps provided.



When the upper hinge rail assembly is properly centered side to side—the rail will rotate easily. Be sure that steel rail end plates are in place to keep rails from jamming.

WARNING!

High winds may catch the tonno cover and cause it to open if not latched.

Be very careful raising tonno in windy conditions.

Cover should always be latched when down.

Do not drive with cover raised or unlatched, even at slow speeds.

When towing vehicle backwards, cover must be removed or tarp fully rolled and secured with Velcro® straps.

Quick and Easy Removal

- Step 1- Lift and hold cover while releasing the lower joint of the gas strut.
- Step 2- Rotate the cover upward past 45° and lift out of the quick-hinge front rail system.
- Step 3- Slide off the Lower Hinge Rail.

Quick and Easy Reattachment

- Step 1- Lift cover as a unit and drop front edge into the quick-hinge front rail system groove. Be careful that locking tongue (vertical web) is between both corner pieces and Rail End Plates. There is about 1/8' total clearance on the ends. Slowly and gently rotate downward. **DO NOT FORCE! IT SHOULD FALL INTO PLACE!!** Note: Frame should slide side-to-side about 1/8" freely, If hinge is tight, something is wrong, you are most likely **not centered**.
- Step 2- Reattach the gas struts with body on bottom in open position. Drop cover and latch both sides securely.

MAXIMUM STRENGTH WARRANTY

LIFETIME FRAME & 10 YEAR TARP

READ CAREFULLY - KEEP IN A SAFE PLACE

PLEASE ATTACH AND SAVE YOUR SALES RECEIPT.
ACTIVATE YOUR WARRANTY ONLINE AT EXTANG.COM.

Maximum Strength Warranty - Lifetime frame & 10 year tarp
warranty covers the following tonneaus:

CLASSIC
PLATINUM **BLACKMAX™** **FULLTILT™** **TUFF TONNO**

■ **WARRANTY DURATION:**

Lifetime Frame – Extang offers a lifetime warranty against defective materials or workmanship on all tonneau rails, aluminum components, clamps, bows, hardware. **10 Year Tarp** – Extang offers a 10 year warranty against defective materials or workmanship on the vinyl covering.

■ **WARRANTY CONDITIONS:**

This warranty is against defective materials or workmanship. The warranty is void if the product has been damaged by accident, unreasonable use, neglect, improper service/installation/removal, modifications, normal wear and tear or other causes not arising out of defective materials or workmanship. Consequential and incidental damages are not covered under this warranty.

THE FOLLOWING CONDITIONS WILL ALSO VOID THE WARRANTY:

- **Wind whip damage** - Tarps must be secured at all points when vehicle is in motion. An unsecured tarp will flap, resulting in damage to the fabric.
- **Improper cleaning** - It is recommended to use the tested and approved Extang Tonno Tonic™ or clean with soap and water only. Do not use vinyl conditioners (i.e. Armor All®) because they will shrink the vinyl.
- **Overloading of cargo** - Cargo should not touch the tonneau's tarp at any point. Protrusions in the tarp will stress the fabric. Cargo may shift while traveling and cause it to push against the tarp fabric and damage it.

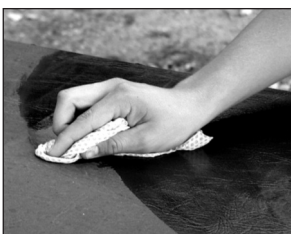
The warranty applies to the original consumer/purchaser. Warranty registration must be on file and/or proof of original purchase (detailed and dated receipt) required for warranty to be effective. Warranty coverage starts from the date of purchase.

■ **PERFORMANCE:**

Provided all warranty conditions are met Extang will either repair or replace (at Extang's option) the product or component. Extang may require the original item to be returned postage prepaid for final determination. Extang reserves the right to substitute and offer the respective warranty discount on an entire replacement system or provide other remedies than those listed in this warranty for discontinued products or other reasons. A return authorization number must be obtained from our customer service department prior to returning any product. Shipping charges will apply for any repair or replacement. This warranty gives you specific legal rights and you may also have other legal rights which vary from state to state.

HELPFUL ACCESSORIES

TONNO TONIC™



Extang has found through field experience and laboratory tests that most of the popular "vinyl conditioners" actually damage vinyl. After extensive testing, we have developed Tonno Tonic, a product that extends vinyl life and will keep your tonneau looking clean and new.

List Price \$15.95 (16 oz.)



REPLACEMENT PARTS

PRICES SUBJECT TO CHANGE

	List Price
Snaps, Corners, Foam	
Sliding Rail Snaps (package of 28)	\$14.25
Sliding Rail Snaps (package of 4)	2.95
Snap Stopper (set of 4)	10.95
Corners (2)	17.55
Tarp Buttons (28)	14.25
Tool to Attach Tarp Buttons to Tarp with Buttons	19.95
Tailgate Ribbed Foam (6")	10.95
Siderail/Cabrail Foam (30' roll)	10.95
Monster Bows	
One Pair of Monster Bow Ends	\$10.95
One Monster Bow with plastic ends	19.75
Tuff Clamps	
Clamps with Bolts (2)	\$19.75
Clamps with bolts (6)	37.35
Cab Rail Assembly (Rail, Snaps, Foam, Corners)	35.20
Tail Rail Assembly (Rail, Snaps, Foam, Corners)	35.20
Side Rail assembly (Rail, Snaps, Foam)	29.25
Replacement Tonneau Tarp	\$99.00

Order today, direct from our customer service department:

1-800-877-2588

5400 S. STATE ROAD, ANN ARBOR, MI 48108
VOICE: **734-677-0444** or **800-877-2588**
FAX: 734-677-8409 EMAIL: info@extang.com
WEB SITE: extang.com



SOMETHING DAMAGED? MISSING PARTS?

CALL US FIRST
800-877-2588

WE CAN HELP YOU QUICKLY AND EASILY OVER THE PHONE



Experienced Customer Service staff
to answer all your tonneau questions

CUSTOMER SERVICE HOURS:
8:30 TO 5 EST, MONDAY - FRIDAY

Tonno Model:	_____
Purchase Date:	_____
Lot Code:	_____
<small>Lot code can be found on underside of cover.</small>	

extang
AMERICA'S #1
SELLING TONNEAU