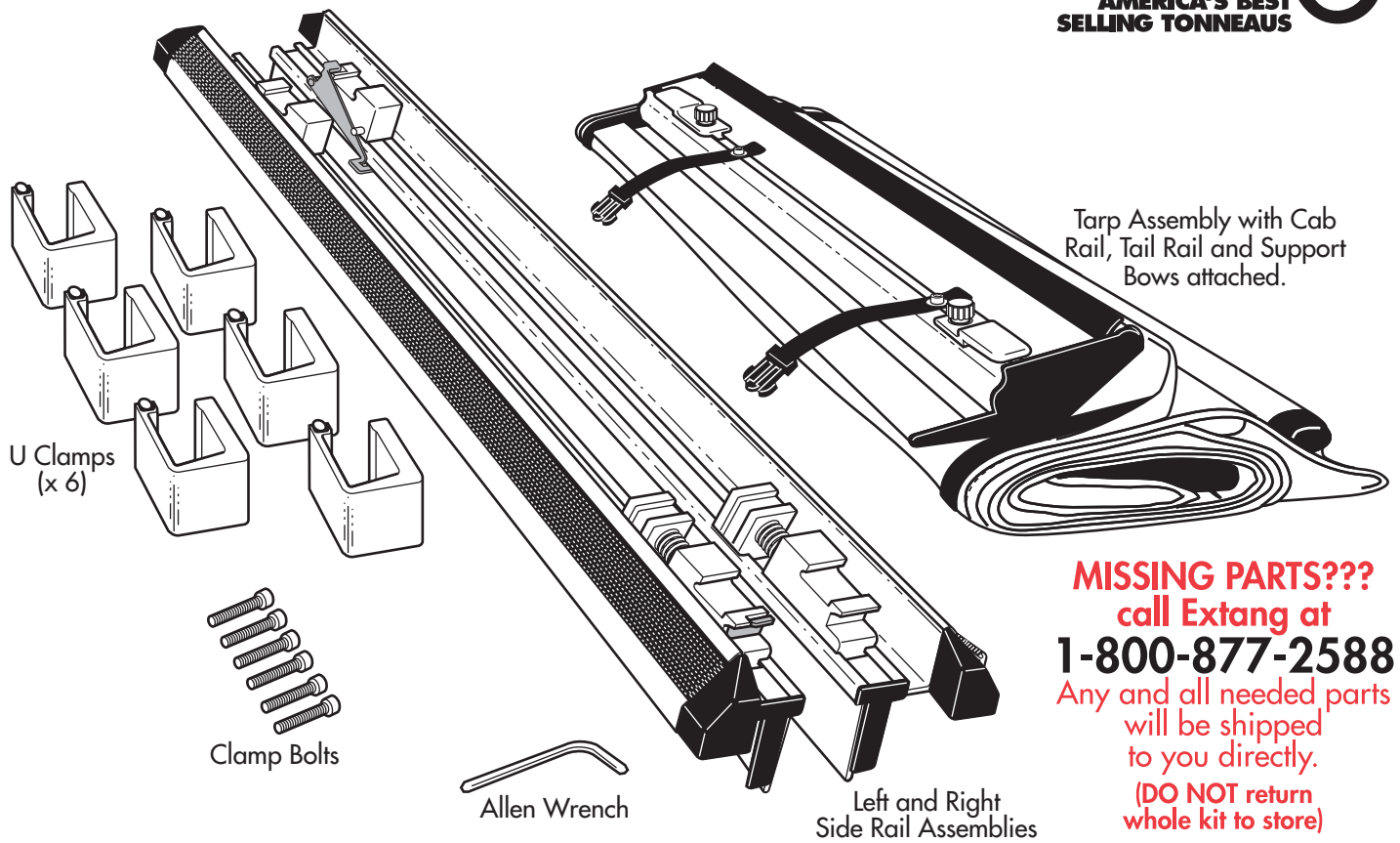


INSTALLATION SHEET

EXPRESS

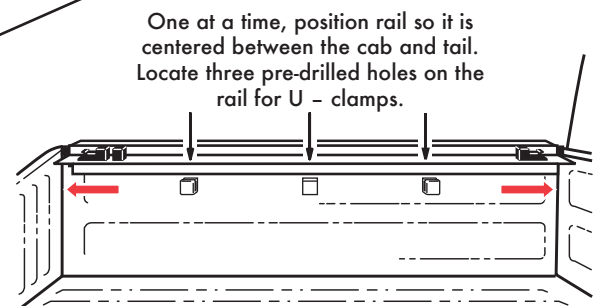
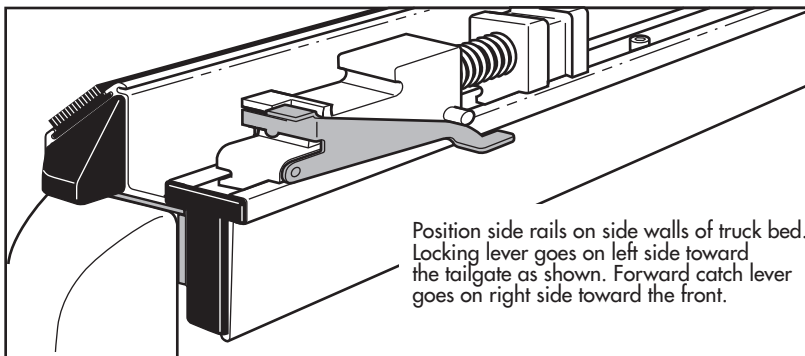
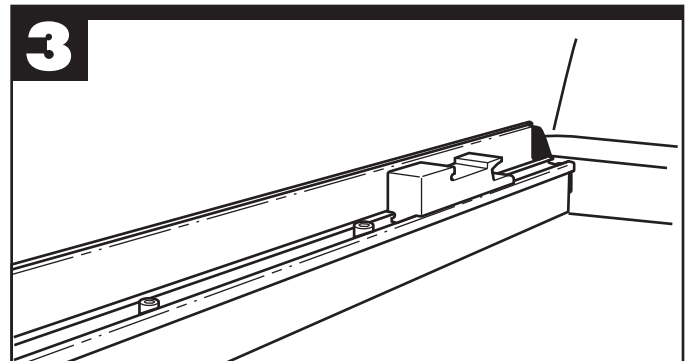
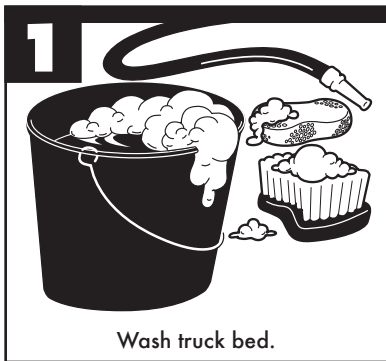
TONNO

extang
 AMERICA'S BEST
 SELLING TONNEAUS



MISSING PARTS???
 call Extang at
1-800-877-2588
 Any and all needed parts
 will be shipped to
 you directly.
 (DO NOT return
 whole kit to store)

PARTS INCLUDED IN YOUR KIT. You may want to lay them out in this manner for accessibility.

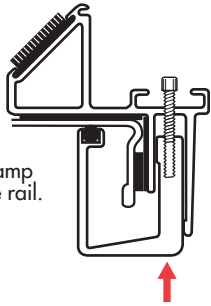


Extang Corporation
 5400 S. State Road
 Ann Arbor, MI 48108
 734 677-0444, Fax: 734 677-8409

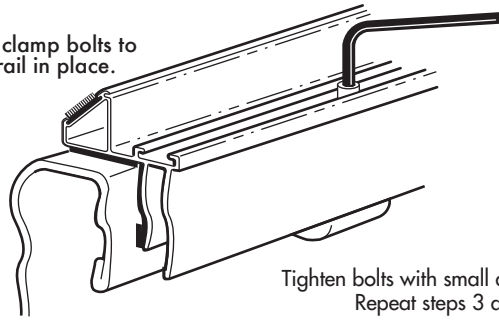
Register your warranty at:
extang.com
 Item No. 0163-1403 RH Printed in U.S.A.

4

Insert U-clamp into the side rail.



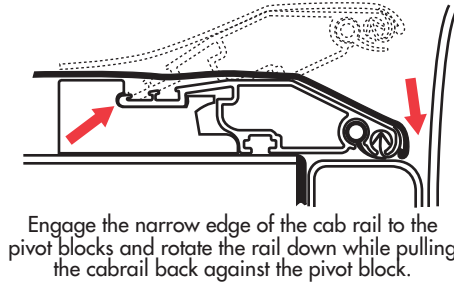
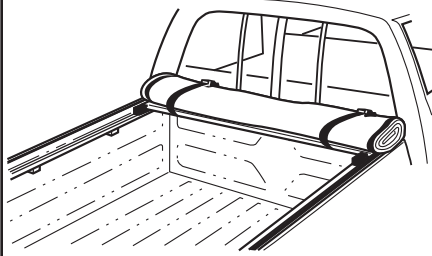
Tighten clamp bolts to hold rail in place.



Tighten bolts with small allen wrench provided. Repeat steps 3 and 4 for the other rail.

5

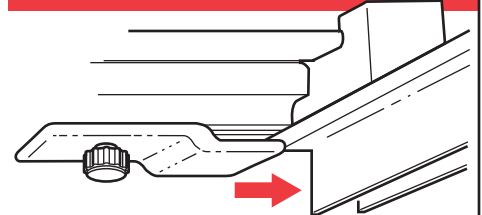
Place tonno assembly in the cab end of truck bed.



Engage the narrow edge of the cab rail to the pivot blocks and rotate the rail down while pulling the cabrail back against the pivot block.

IMPORTANT: If tarp touches cab of truck, move side rails back.

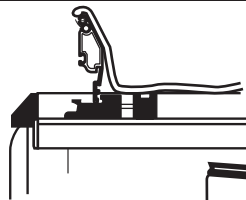
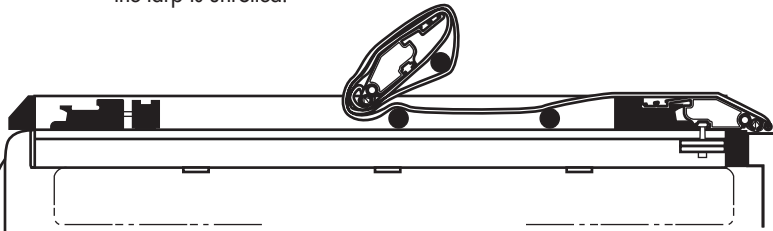
Prior to driving vehicle make sure both slide locks at cab rail are secure.



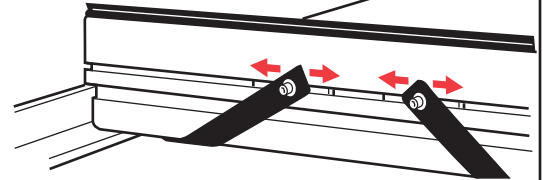
Slide the slide blocks outward so that they engage the wide flange of the side rail and secure the knurled knobs to tighten.

6

Unroll your tarp from the cab rail to the tailgate. The tonno bows are deployed as the tarp is unrolled.

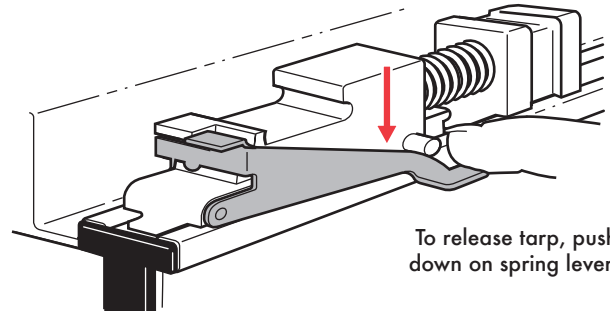
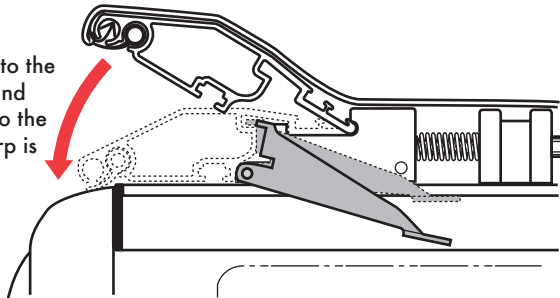


If needed, you can adjust the alignment of the tailgate rail by changing the tailgate strap positions.



7

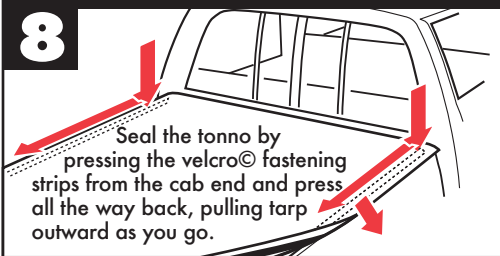
Insert tail rail into the tailgate block and rotate it down to the spring lever. Tarp is self-tensioning.



To release tarp, push down on spring lever.

8

Seal the tonno by pressing the velcro® fastening strips from the cab end and press all the way back, pulling tarp outward as you go.

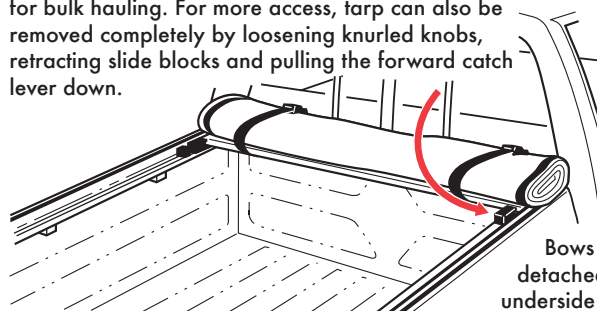


Before using any commercial car wash, push down both sides of the Velcro® strips. This will reduce the possibility of water entering the truck bed.

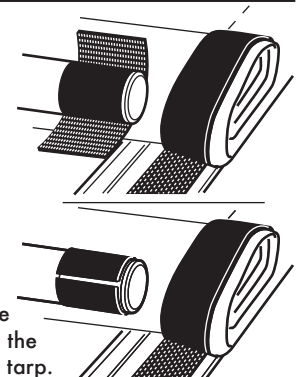
Over time, the velcro might develop a fuzzy appearance. This is normal and will increase the holding strength.

EASY USE OF TRUCK BED

Tarp may be rolled up and secured with buckle straps for bulk hauling. For more access, tarp can also be removed completely by loosening knurled knobs, retracting slide blocks and pulling the forward catch lever down.



Bows can be detached from the underside of the tarp.



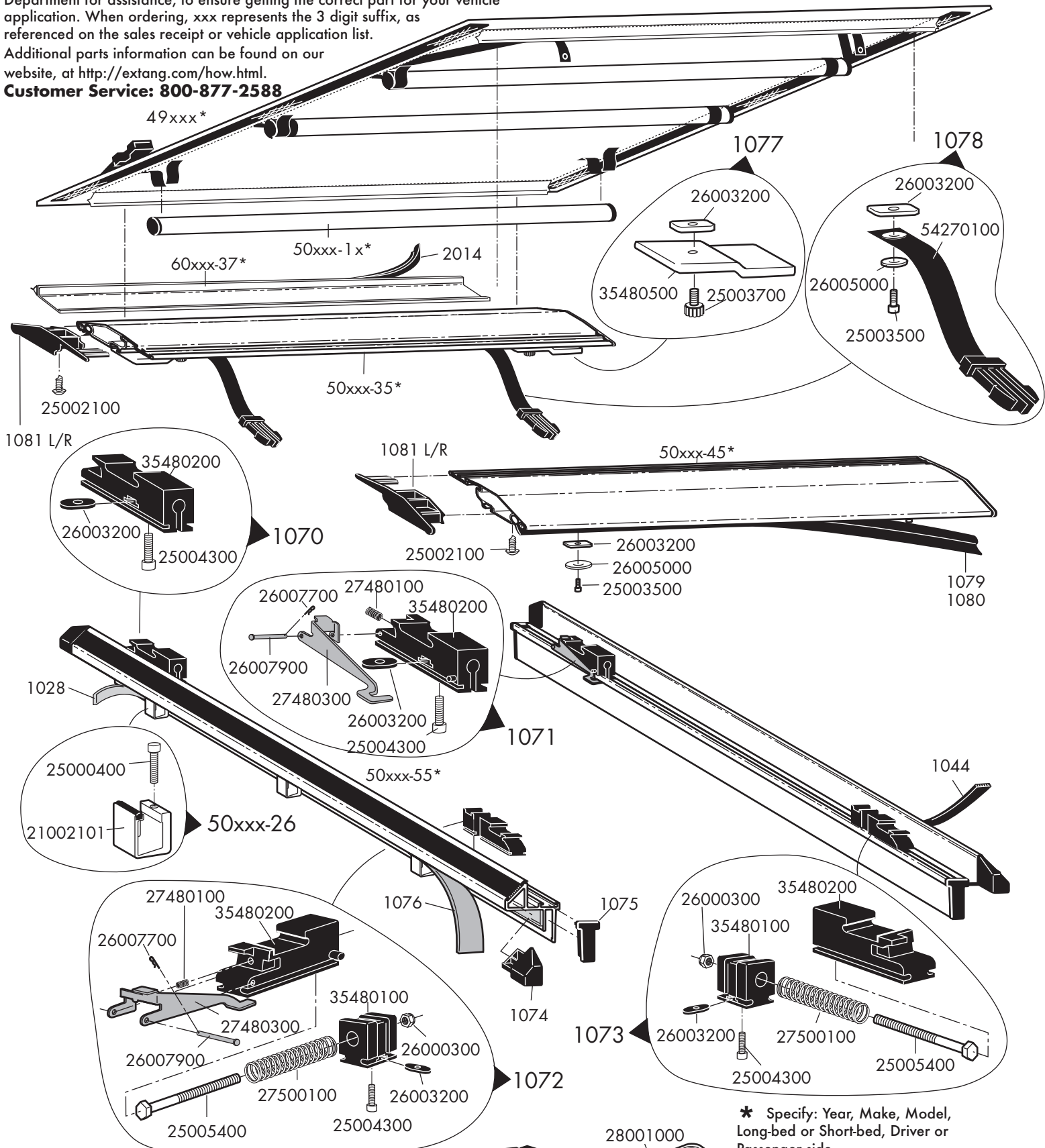
For care instructions see tag on underside of tarp

NOTE: To order replacement parts, it's best to contact our Customer Service Department for assistance, to ensure getting the correct part for your vehicle application. When ordering, xxx represents the 3 digit suffix, as referenced on the sales receipt or vehicle application list.

See Part Descriptions on Back

Additional parts information can be found on our website, at <http://extang.com/how.html>.

Customer Service: 800-877-2588



* Specify: Year, Make, Model, Long-bed or Short-bed, Driver or Passenger side.



Extang Corporation
5400 S. State Road
Ann Arbor, MI 48108
734 677-0444, Fax: 734 677-8409

Register your warranty at:
extang.com

NOTE: To order, xxx represents the 3-digit application # (vehicle type) following the 1- or 2-digit prefix, as referenced on the vehicle application list or sales receipt. Or call our Customer Service Department at 1-800-877-2588 for assistance.

- 49xxx* Black Replacement Tarp
- 50xxx-10* Cab Bow w/End Caps (1)
- 50xxx-11* Center Bow w/End Caps (1)
- 50xxx-12* Cab Center Bow w/End Caps (1) (L/B only)
- 50xxx-13* Tail Center Bow (L/B only) w/End Caps (1)
- 50xxx-14* Tail Bow w/End Caps (1)
- 50xxx-26* Clamp Pack (set of 2)
 - 21002101 cut Regular U clamp (1)
 - 25000400 1/4"-20x1" SHCS (1)
 - 28001000 3/16" Hex Key
- 50xxx-35* Cab Rail Replacement
 - 1077 Slide Lock Assembly
 - 25003700 Thumbscrew (1)
 - 26003200 Weld Nut
 - 35480500 Slide Lock
 - 1078 Cabrail Tarp Strap Assembly
 - 26005000 1/4" Washer (1)
 - 25003500 1/4"-20x1/2" SHCS (1)
 - 26003200 Weld Nut
 - 54270100 Strap (1)
 - 1079 Small Cab/Tail Seal - 68"
 - 1080 Large Cab/Tail Seal -68"
 - 1081 Cab/Tail End Plugs (1 pair L/R)
- 25002100 Cab/Tail End Cap Screw #8 x 3/4"
- 50xxx-45 Tail Rail Assembly
 - 1079 Small Cab/Tail Seal - 68"
 - 1080 Large Cab/Tail Seal -68"
 - 1081 Cab/Tail End Plugs (1 pair L/R)
- 25002100 Cab/Tail End Cap Screw #8 x 3/4"
- 26003200 Weld Nut (1)
- 26005000 1/4" Washer (1)
- 25003500 1/4"-20x1/2" SHCS (1)
- 50xxx-55* Side Rail Replacement Assembly (1)
 - 1028 Vertical Siderail Seal 8'
 - 1044 Siderail Velcro® 8'
 - 1070 Drivers-side Front Pivot Assembly (1)
 - 25004300 1/4"- 20 x 5/8" SHCS (1)
 - 26003200 Weld Nut (1)
 - 35480200 Pivot Block (1)
 - 1074 Side Rail Tail-End Plugs L/R (1 pair L/R)
 - 1075 Side Rail Lower Plugs (2)
 - 1076 Horizontal Side Rail Seal 8'
- 30270100 Siderail Shims
- 1071 Passenger-side Front Latch Assembly (1)
 - 250043 00 1/4"- 20 x 5/8" SHCS (1)
 - 26003200 Weld Nut (1)
 - 26007700 Clevis Hitch Pin (1)
 - 26007900 Clevis Latch Pin (1)
 - 27480100 Latch Spring (1)
 - 27480300 Latch (1)
 - 35480200 Pivot Block (1)
- 1072 Driver-side Rear Latch Assembly (1)
 - 25004300 1/4"- 20 x 5/8" SHCS (1)
 - 25005400 1/4"- 20 x 4" Hex Head (1)
 - 26000300 1/4" Nut (1)
 - 26003200 Weld Nut (1)
 - 26007700 Clevis Hitch Pin (1)
 - 26007900 Clevis Latch Pin (1)
 - 27480100 Latch Spring (1)
 - 27500100 Tension Spring (1)
 - 27480300 Latch (1)
 - 35480100 Stanchion (1)
 - 35480200 Pivot Block (1)
- 1073 Passenger-side Rear Pivot Assembly (1)
 - 25004300 1/4"- 20 x 5/8" SHCS (1)
 - 25005400 1/4"- 20 x 4" Hex Head (1)
 - 26000300 1/4" Nut (1)
 - 26003200 Weld Nut (1)
 - 27500100 Tension Spring (1)
 - 35480100 Stanchion (1)
 - 35480200 Pivot Block (1)
- 60xxx-37* L Channel (for Toolbox Installation only)
 - 2014 D-Seal with Lip

* Specify: Year, Make, Model,
Long-bed or Short-bed, Driver or
Passenger side.

MAXIMUM STRENGTH WARRANTY

LIFETIME FRAME & TARP

READ CAREFULLY - KEEP IN A SAFE PLACE

PLEASE ATTACH AND SAVE YOUR SALES RECEIPT.
ACTIVATE YOUR WARRANTY ONLINE AT EXTANG.COM.

Maximum Strength Warranty - Lifetime frame and tarp warranty covers the following tonneaus: Revolution, Express, Trifecta and eMAX.

■ WARRANTY DURATION:

Lifetime Frame – Extang offers a LIFETIME warranty against defective materials or workmanship on the Revolution, Express, Trifecta and eMAX rails, aluminum components, clamps, bows, hardware. **Lifetime Tarp** – Extang offers a LIFETIME warranty against defective materials or workmanship on the Revolution, Express, Trifecta and eMAX vinyl covering.

■ WARRANTY CONDITIONS:

This warranty is against defective materials or workmanship. The warranty is void if the product has been damaged by accident, unreasonable use, neglect, improper service/installation/removal, modifications, normal wear and tear or other causes not arising out of defective materials or workmanship. Consequential and incidental damages are not covered under this warranty.

THE FOLLOWING CONDITIONS WILL ALSO VOID THE WARRANTY:

- **Wind whip damage** - Tarps must be secured at all points when vehicle is in motion. An unsecured tarp will flap, resulting in damage to the fabric.
- **Improper cleaning** - It is recommended to use the tested and approved Extang Tonno Tonic™ or clean with soap and water only. Do not use vinyl conditioners (i.e. Armor All®) because they will shrink the vinyl.
- **Overloading of cargo** - Cargo should not touch the tonneau's tarp at any point. Protrusions in the tarp will stress the fabric. Cargo may shift while traveling and cause it to push against the tarp fabric and damage it.

The warranty applies to the original consumer/purchaser. Warranty registration must be on file and/or proof of original purchase (detailed and dated receipt) required for warranty to be effective. Warranty coverage starts from the date of purchase.

■ PERFORMANCE:

Provided all warranty conditions are met Extang will either repair or replace (at Extang's option) the product or component. Extang may require the original item to be returned postage prepaid for final determination. Extang reserves the right to substitute and offer the respective warranty discount on an entire replacement system or provide other remedies than those listed in this warranty for discontinued products or other reasons. A return authorization number must be obtained from our customer service department prior to returning any product. Shipping charges will apply for any repair or replacement. This warranty gives you specific legal rights and you may also have other legal rights which vary from state to state.



HELPFUL ACCESSORIES



The MaxSeal Tailgate Seal creates a tight seal along sides and bottom of your tailgate to keep out dust, rain and snow. Quick and easy to install: just cut, peel and stick.



B-Light, Tonneau Lighting System works well with soft and hard tonneau covers. Contains 8 high-intensity LED units. Simple and easy to install and comes with a 1 year warranty.

Order today, direct from our customer service department:

1-800-877-2588

5400 S. STATE ROAD, ANN ARBOR, MI 48108
VOICE: **734-677-0444** or **800-877-2588**
FAX: 734-677-8409 EMAIL: info@extang.com
WEB SITE: extang.com

extang

Item No. 0030-11.13RRE
Printed in U.S.A.

MAXIMUM STRENGTH WARRANTY

LIFETIME FRAME & 10 YEAR TARP

READ CAREFULLY - KEEP IN A SAFE PLACE

PLEASE ATTACH AND SAVE YOUR SALES RECEIPT.
ACTIVATE YOUR WARRANTY ONLINE AT EXTANG.COM.

Maximum Strength Warranty - Lifetime frame & 10 year tarp
warranty covers the following tonneaus:

CLASSIC
PLATINUM **BLACKMAX™** **FULLTILT™** **TUFF TONNO**

■ **WARRANTY DURATION:**

Lifetime Frame – Extang offers a lifetime warranty against defective materials or workmanship on all tonneau rails, aluminum components, clamps, bows, hardware. **10 Year Tarp** – Extang offers a 10 year warranty against defective materials or workmanship on the vinyl covering.

■ **WARRANTY CONDITIONS:**

This warranty is against defective materials or workmanship. The warranty is void if the product has been damaged by accident, unreasonable use, neglect, improper service/installation/removal, modifications, normal wear and tear or other causes not arising out of defective materials or workmanship. Consequential and incidental damages are not covered under this warranty.

THE FOLLOWING CONDITIONS WILL ALSO VOID THE WARRANTY:

- **Wind whip damage** - Tarps must be secured at all points when vehicle is in motion. An unsecured tarp will flap, resulting in damage to the fabric.
- **Improper cleaning** - It is recommended to use the tested and approved Extang Tonno Tonic™ or clean with soap and water only. Do not use vinyl conditioners (i.e. Armor All®) because they will shrink the vinyl.
- **Overloading of cargo** - Cargo should not touch the tonneau's tarp at any point. Protrusions in the tarp will stress the fabric. Cargo may shift while traveling and cause it to push against the tarp fabric and damage it.

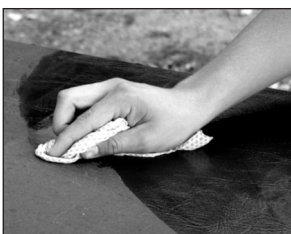
The warranty applies to the original consumer/purchaser. Warranty registration must be on file and/or proof of original purchase (detailed and dated receipt) required for warranty to be effective. Warranty coverage starts from the date of purchase.

■ **PERFORMANCE:**

Provided all warranty conditions are met Extang will either repair or replace (at Extang's option) the product or component. Extang may require the original item to be returned postage prepaid for final determination. Extang reserves the right to substitute and offer the respective warranty discount on an entire replacement system or provide other remedies than those listed in this warranty for discontinued products or other reasons. A return authorization number must be obtained from our customer service department prior to returning any product. Shipping charges will apply for any repair or replacement. This warranty gives you specific legal rights and you may also have other legal rights which vary from state to state.

HELPFUL ACCESSORIES

TONNO TONIC™



Extang has found through field experience and laboratory tests that most of the popular "vinyl conditioners" actually damage vinyl. After extensive testing, we have developed Tonno Tonic, a product that extends vinyl life and will keep your tonneau looking clean and new.

List Price \$15.95 (16 oz.)



REPLACEMENT PARTS

PRICES SUBJECT TO CHANGE

	List Price
Snaps, Corners, Foam	
Sliding Rail Snaps (package of 28)	\$14.25
Sliding Rail Snaps (package of 4)	2.95
Snap Stopper (set of 4)	10.95
Corners (2)	17.55
Tarp Buttons (28)	14.25
Tool to Attach Tarp Buttons to Tarp with Buttons	19.95
Tailgate Ribbed Foam (6")	10.95
Siderail/Cabrail Foam (30' roll)	10.95
Monster Bows	
One Pair of Monster Bow Ends	\$10.95
One Monster Bow with plastic ends	19.75
Tuff Clamps	
Clamps with Bolts (2)	\$19.75
Clamps with bolts (6)	37.35
Cab Rail Assembly (Rail, Snaps, Foam, Corners)	35.20
Tail Rail Assembly (Rail, Snaps, Foam, Corners)	35.20
Side Rail assembly (Rail, Snaps, Foam)	29.25
Replacement Tonneau Tarp	\$99.00

Order today, direct from our customer service department:

1-800-877-2588

5400 S. STATE ROAD, ANN ARBOR, MI 48108
VOICE: **734-677-0444** or **800-877-2588**
FAX: 734-677-8409 EMAIL: info@extang.com
WEB SITE: extang.com



SAVE GAS, YOUR EXTANG TONNEAU MAY PAY FOR ITSELF!

DID YOU KNOW?

**EXTANG TONNEAUS
MAY IMPROVE GAS
MILEAGE UP TO 10%**



HERE'S HOW:

There are conservatively 850,000 Extang Tonneaus on the road everyday and based on the average gas savings, Extang tonneaus save America 102 million gallons of gas per year or approximately \$382,500,000.

Studies show the average truck owner drives 18,000 miles per year. At 15 mpg that comes to 1,200 gallons of gas. At a minimum 10% savings you would save around 120 gallons of gas a year. You can see why it would not take too many months to have your new tonneau pay for itself.

"...adding a tonneau could mean an improvement in fuel mileage that is the equivalent of a free gallon of gas for every 20 gallons used."

- Auto Trim & Restyling News, August 2001

MILES DRIVEN PER YEAR	MPG	AVERAGE GAS COST	ANNUAL GAS SAVINGS	ANNUAL COST SAVINGS	3 YEARS COST SAVINGS	5 YEARS COST SAVINGS	MONTHS FOR TONNO PAY BACK
12,000	15	\$3.75	80 gal.	\$300	\$900	\$1,500	12
15,000	15	\$3.75	100 gal.	\$375	\$1,125	\$1,875	9
18,000	15	\$3.75	120 gal.	\$450	\$1,350	\$2,250	8
20,000	15	\$3.75	133 gal.	\$498	\$1,494	\$2,490	7
22,000	15	\$3.75	146 gal.	\$547	\$1,641	\$2,735	6

Results are based on an estimated tonneau price of \$300.00 and rounded to the nearest whole number. Savings may vary and are not guaranteed.

SOMETHING DAMAGED? MISSING PARTS?

CALL US FIRST
800-877-2588

WE CAN HELP YOU QUICKLY AND EASILY OVER THE PHONE



Experienced Customer Service staff
to answer all your tonneau questions

CUSTOMER SERVICE HOURS:
8:30 TO 5 EST, MONDAY - FRIDAY

Tonno Model:	_____
Purchase Date:	_____
Lot Code:	_____
<small>Lot code can be found on underside of cover.</small>	

extang
AMERICA'S #1
SELLING TONNEAU