

INSTALLATION SHEET



REAR INNER WHEEL WELL LINERS 99-07 CHEVY/GMC CLASSIC 1500/2500/3500



Driver Side Wheel Well (A)

LIST OF CONTENTS:

- (A) 1 - Driver Side Wheel Well
- (B) 1 - Passenger Side Wheel Well

LIK44 KIT:

- (C) 18 - Christmas Tree Fastener



Passenger Side Wheel Well (B)

MISSING PARTS???

Call Rugged Liner at

800-433-3604

Any required parts will be shipped to you directly.

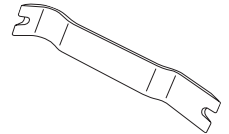
(DO NOT return whole kit to store)

TOOLS REQUIRED:

- Ratchet with 13 mm socket in step 5

TOOLS FOR WHEEL FLARES:

- Easy removal tool or flat screwdriver in step A
- Electric drill with 1/4" drill bit in step A



1

PLEASE READ INSTRUCTIONS CAREFULLY BEFORE STARTING THE INSTALLATION.

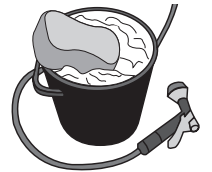
One person can perform the installation.



2

VEHICLE PREPARATION:

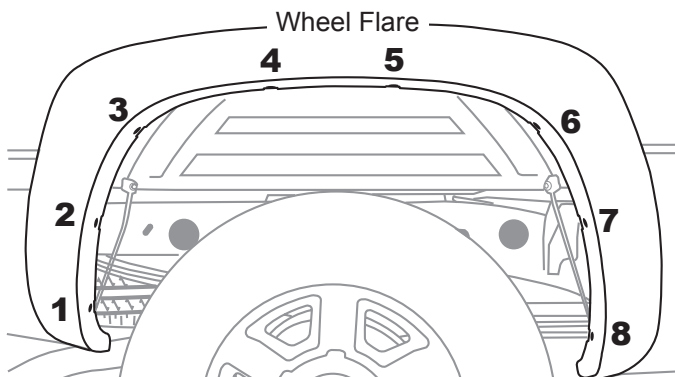
It is important that all areas where the wheel wells mount are clean and free of debris prior to installing.



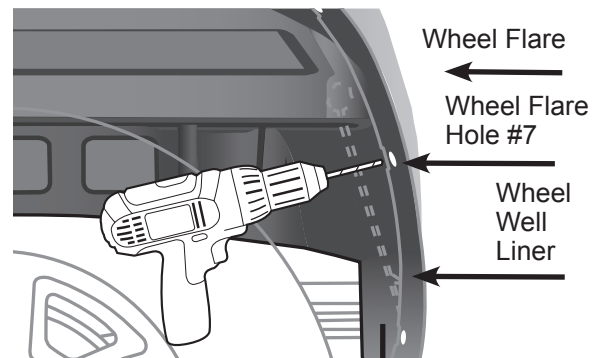
A

Note: Trucks without flares go directly to step 3.
Note: Trucks with wheel well flares.

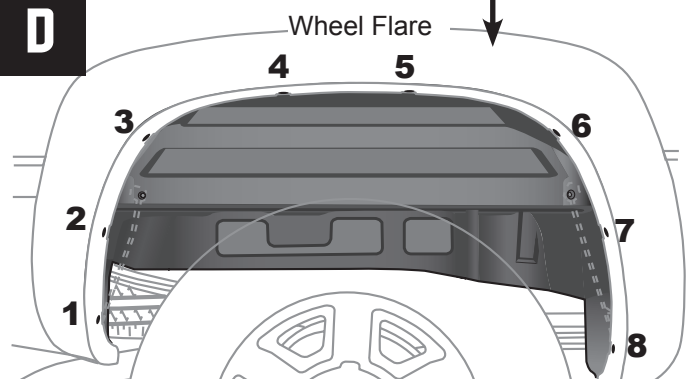
- A. Remove all (8) push pins that hold the wheel flares with a flat tool and discard them.
- B. Then follow steps 3-5 to install the wheel well liner.
- C. With the help of an electric drill with 1/4" drill bit use the wheel well flare and wheel house edge as a template. Drill holes through positions 2-7 through the wheel well liner that you just installed.
- D. Install one Christmas tree fastener (C) through holes 1 & 8 in the wheel well flare and into holes 2-7 in the liner you just drilled holes in.



C



D



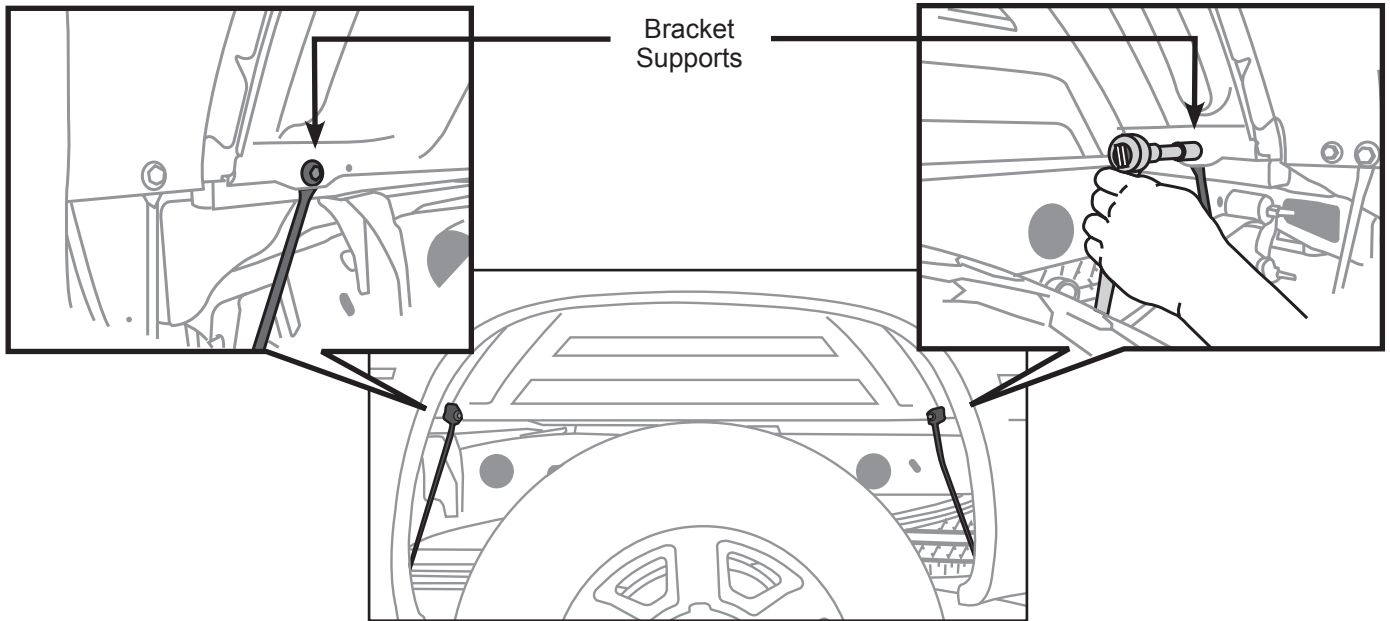
INSTALLATION SHEET

RUGGED LINER

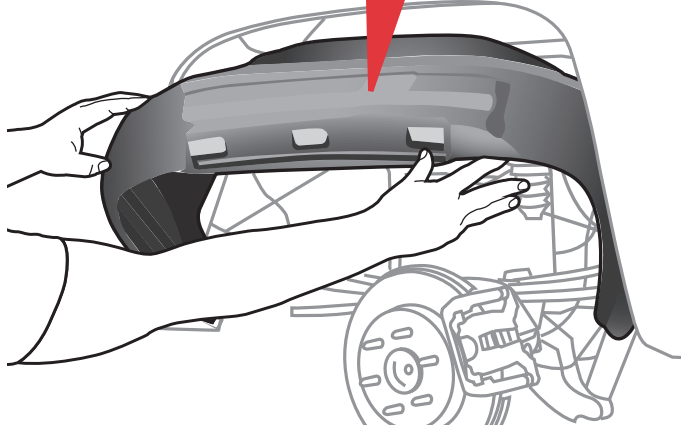
99-07 CHEVY/GMC CLASSIC 1500/2500/3500

3 Start on driver side by locating the top bracket support and remove the interior bolts using a ratchet with 13mm socket.

NOTE: Save the bolts in a safe place.

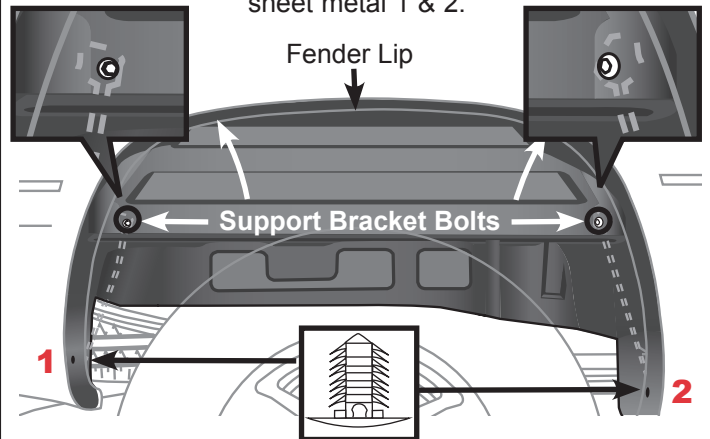


4 Start on the driver side by setting the driver side wheel well (A) marked as (DRV) inside the inner panel of the truck's wheel well behind the tire. Make sure the support brackets in step 3 are behind the wheel well liner.



5 Tuck the lower corners first and then upper part of the wheel well liner behind the rest of the metal lip of the fender.

Using the ratchet with a 13 mm socket, re-install the bolts removed in step 3 into the pre-drilled holes in the plastic liner and into the wheel well housing. Insert Christmas tree fastener (C) into front and rear pre-drilled holes in liner and pre-existing holes in sheet metal 1 & 2.



6 Repeat steps 3-5 on the passenger side when installing the passenger side wheel well (B).

